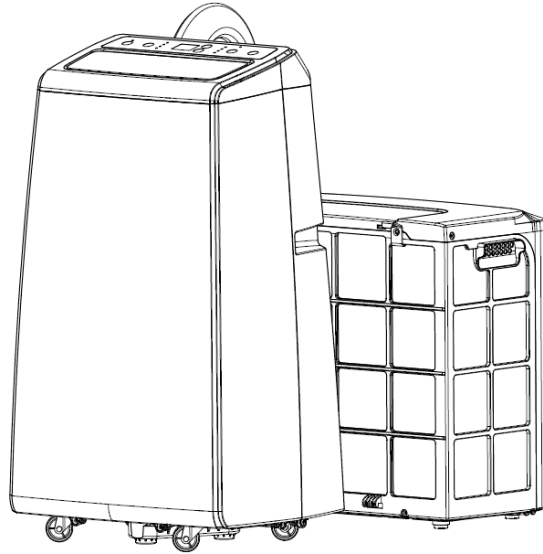


evolar



TYPE: EVO-SAP12CHW

EVOLAR MOBILE AIR CONDITIONING

User manual

EVOLAR MOBILE AIRCO

Gebruikershandleiding

EVOLAR MOBILE KLIMAANLAGEN

Benutzerhandbuch

1. SAFETY INSTRUCTIONS

IMPORTANT!

AIR CONDITIONERS MUST ALWAYS BE STORED AND TRANSPORTED UPRIGHT, OTHERWISE IRREPARABLE DAMAGE MAY BE CAUSED TO THE COMPRESSOR; IF IN DOUBT WE SUGGEST WAITING AT LEAST 24 HOURS FOLLOWING INSTALLTION BEFORE STARTING THE UNIT.



Warning

When using this air conditioner, it is important that you always observe the safety regulations. This prevents the risk of personal injury, electric shock and product damage. Therefore, read all instructions beforehand.

- If the terms of use are not followed, the manufacture will not be liable for any damage or injury resulting from the use of this device.
- Keep the manual, warranty certificate and sales receipt.
- The user of this household appliance must be at least 8 years old. Weak individuals, those with weak sensory abilities, or those with low psychological resilience must supervise their use while understanding the correct usage methods and potential hazards. Children are prohibited from playing and must clean and maintain the household appliance under supervision.
- Do not use if the device is visibly damaged or the power cord is broken.
- If the device, power cord, or plug is damaged, do not repair the device yourself. Repairs must be carried out by manufacturers or professional technicians.
- Please make sure to use and store this device in a dry place.
- Do not use accessories that are not recommended by the manufacturer.
- This device is only suitable for household use.
- Do not modify this product (or any part thereof).
- Do not share a power outlet with multiple appliances.
- Due to fire prevention, a distance of at least 2 meters is required from flammable materials.
- Users are strictly prohibited from adding refrigerants on their own.
- Do not directly pull the hose or damage it with sharp objects. If the hose is found to be damaged, immediately stop using it and contact the dealer for repair.
- Do not use means to accelerate the defrosting process or to clean, other than those recommended by the manufacturer
- The appliance shall be stored in a room without continuously operating ignition sources (forexample: open flames, an operating gas appliance or an operating electric heater)
- Do not pierce or burn
- Be aware that refrigerants might not contain an odour.

Also take the following regulations into account:

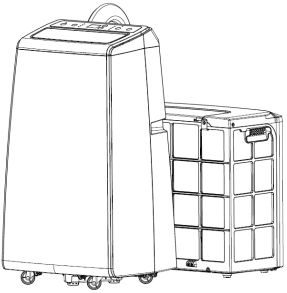

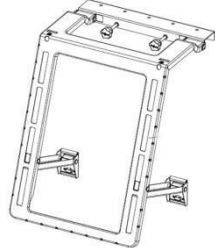


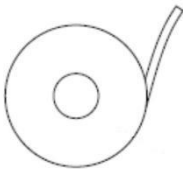

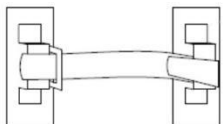

- Place the internal unit product on a flat surface and keep it vertically to ensure the normal operation of the compressor.
- When moving or transporting air conditioners, try to keep them straight and ensure that they do not shake or fall off.
- Ensure that the air supply is not blocked and maintain good ventilation.
- Do not insert fingers or objects through the openings of the air inlet and outlet, as it may come into contact with electrical components or fans and pose a danger.



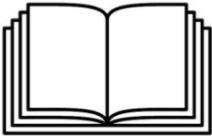
- Do not place heavy objects on the product.
- Before maintenance, cleaning, or prolonged disuse, unplug the plug from the socket.
- Unplug the machine when moving it.
- Clean the dust filter at least once a month.
- If the machine is not used for a long time, it must be stored in a cool and dry place. Carry out air conditioning cleaning and drying work in advance.
- Do not operate the device during snowfall. After snowfall, pose to ensure that the air intake of the outdoor unit is not covered by snow.
- Details of type and rating of fuses : T 20A, 250V AC for driver PCB.

2. TECHNICAL DATA

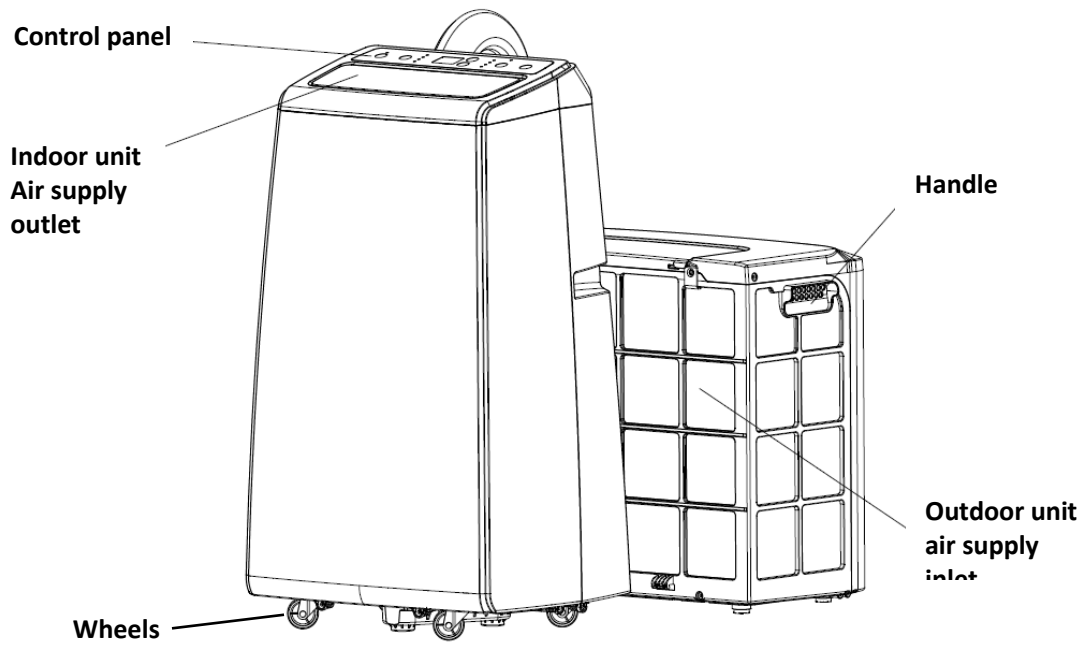
Voltage:	220~240V 50/60Hz	Air flow capacity:	380-440m ³ /h
Cooling capacity:	12000btu/h (3500W)	Dehumidification capacity:	1.2L/h
Heating capacity:	12000btu/h (3500W)	Isolation Class (for outside part):	IPX4
Cooling Power Input:	1300W	Compressor type:	Rotor type
Heating Power Input:	1200W	Refrigerant:	R32, 640g
Dimensions inside unit:	440×320×730mm	Sound pressure level (for indoor part):	39/47/50/52d B
Dimensions outside unit:	492×263×460mm	Net weight / Gross weight:	36,5/45kg

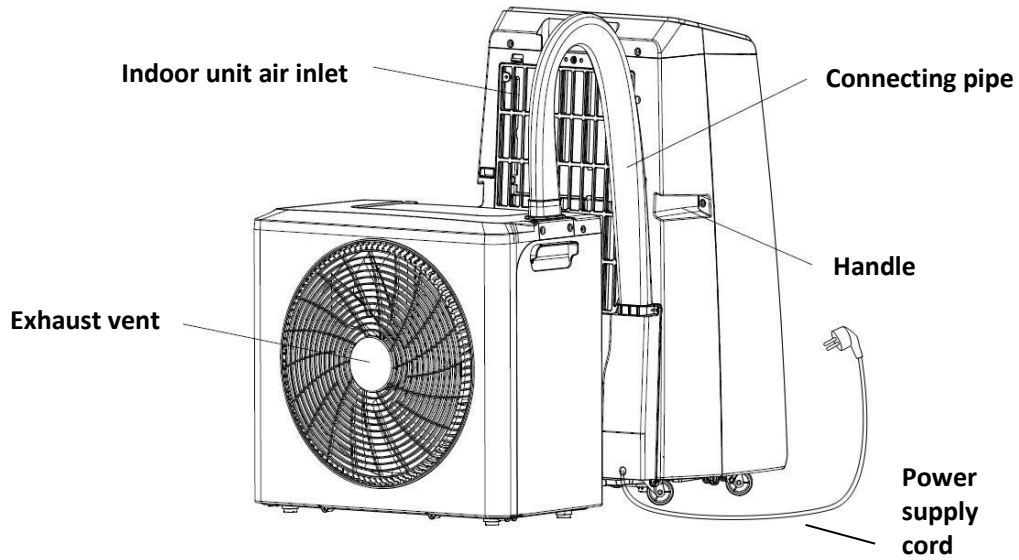
3. PACKING LIST

		
Air conditioner	Remote control	Install bracket components
		
2pcs Hand tighten screws	Sealing cloth	Velcro
		
Drain hose	Lock buckle	Steel wire safety rope (optional)

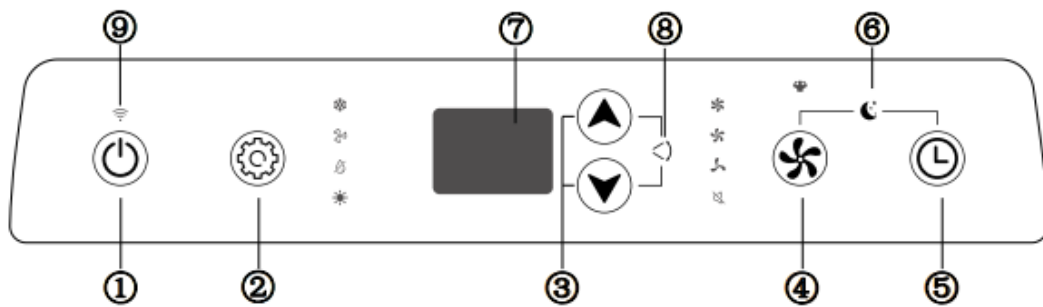
 <p>Hanging ring screw (optional)</p>	 <p>2pcs Battery (1.5V, AAA)</p>	 <p>Manual</p>
--	---	---

4. DESIGNATION OF PARTS





5. OPERATION OF CONTROL PANEL



① Power

Press this button to turn on/off the air conditioning.

② Mode

Press this button to select cooling, air supply, dehumidification, and heating modes.

③ Temperature/time adjustment

When in cooling/heating mode, pressing this key can adjust the set temperature up or down; In timed mode, press this key to adjust the timed on/off time.

④ Fan speed

Press this key to select high-end wind speed, mid-range wind speed, Low wind speed, silent wind speed, or strong wind speed.

⑤ Timer

Press this key in standby mode to set the timer. Startup time; Press this key while in the power on state. Can set a timed shutdown time.

⑥ Sleep mode (fan speed +timer key)

Press this key combination in cooling/heating mode
Then enter sleep mode.


⑦ Display Window

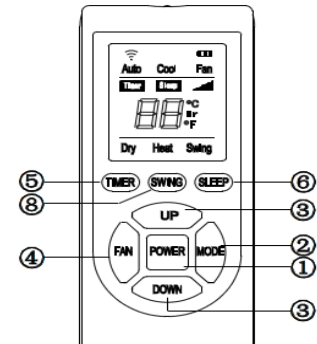
This window displays the adjusted temperature and time.

⑧ Swing (up+down)

Press this key combination to turn on/off the swing function.

⑨ WiFi function (optional)







In standby mode, press the FAN button"  "on control panel for 3 seconds to enter WIFI network reset or unbind WIFI.







* The air conditioner can be controlled with the remote control. Two AAA-batteries are required.

6. FUNCTION INTRODUCTION


● Cooling mode

- 1) After powering on, the default cooling mode or pressing the mode button to select the cooling mode will turn on the cooling display light .
- 2) Press the up or down button to adjust the temperature (between 16 °C and 30 °C).
- 3) Press the wind speed button to select high , medium , low , silent , or strong  wind speeds.





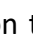
● Air supply mode

- 1) Press the mode button or select the air supply mode through the remote control, and the air supply indicator light  will turn on.
- 2) Press the wind speed button to select high , medium , low  air speed.
- 3) Temperature cannot be set.

● Dehumidification mode

- 1) Press the mode button or select the Dehumidification mode through the remote control, and the Dehumidification light  will turn on. The four-way valve is closed in dehumidification mode.
- 2) Temperature control range: 16 °C ~ 30 °C.
- 3) In this mode, there are functions such as timer, swing, and power-off memory.
- 4) Press the air speed button to select low or silent air speed.

● Heating mode

- 1) Press the mode key or select the heating mode through the remote control, and the heating indicator light  will turn on.
- 2) Press the up or down button to adjust the set temperature (between 16 °C and 30 °C).
- 3) Press the wind speed button to select high , medium , low , or silent  wind speeds.

● Sleep mode

- 1) When turned on, press the sleep button on the remote control or the combination

button on the control panel (🕒+🌀) to activate the sleep function. The display as "SL", which is only effective in cooling and heating modes.

- 2) The fan operates at a silent 🤫 wind speed.
- 3) After running for a while, the temperature to up (cooling mode) or down (heating mode).
- 4) The air conditioner in sleep mode will automatically shut down after 8 hours.

7. SMART HOME WIFI CONNECTION GUIDE

Install App

Download the "Smart life" app from the Play Store (Android) or App Store (iOS).

Register

If you do not have a Smarter Home account, register or sign in with a verification code sent by SMS.

To register:

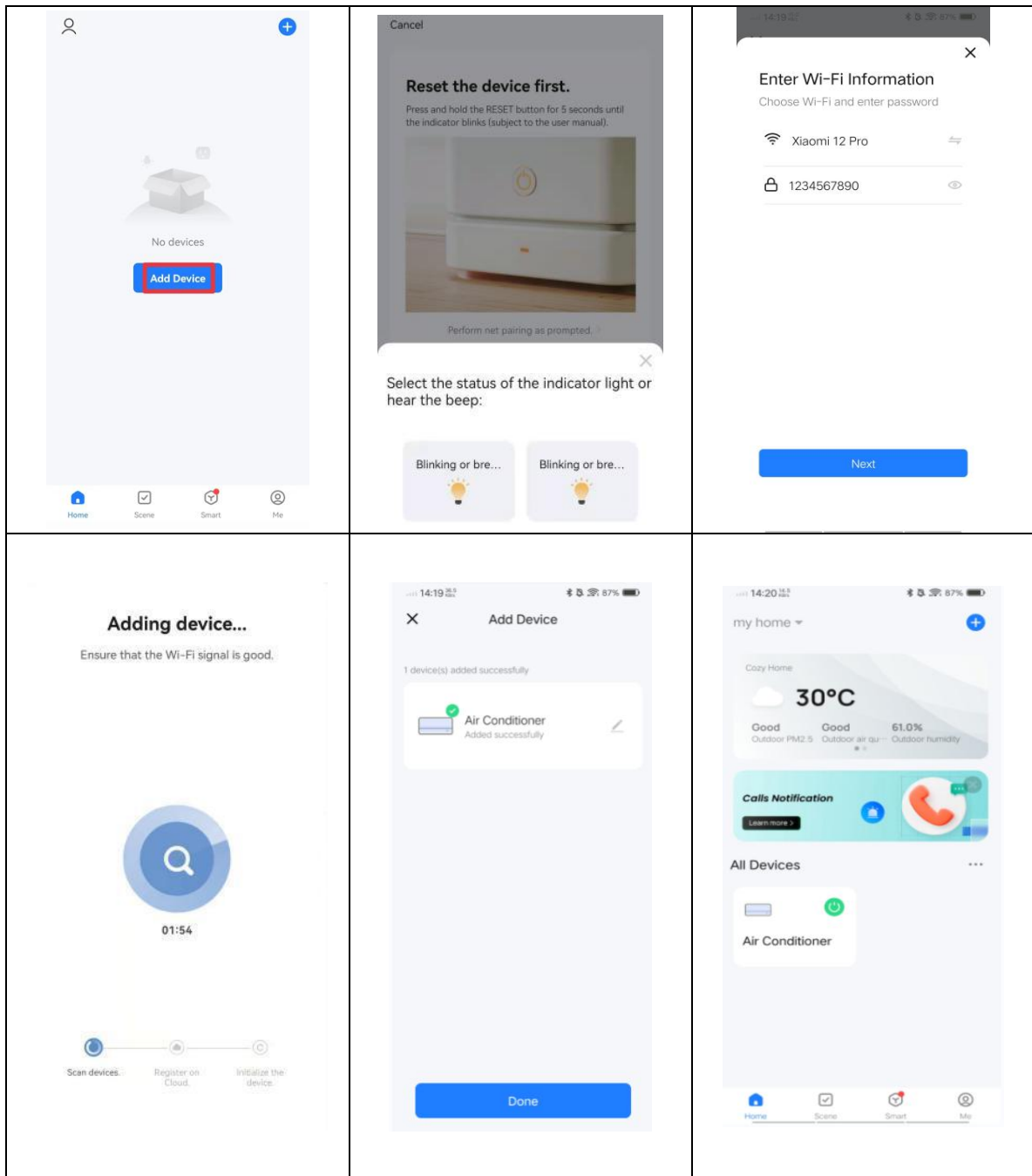
1. Tap to enter registration page
2. The system automatically recognizes your country/ area. You can also select your country code manually. Enter your mobile phone number/ email address and tap "Next".
3. If you choose the mobile phone number option, then enter the verification code in the message sent to you by SMS. Set a password as prompted and press "Confirm" to finish your registration.

Add Device Through Network



- a. When conditioner under standby mode, press the FAN button 🌀 on control panel for 3 seconds to enter WiFi-connect mode, and WiFi signal light 📶 starts flashing.
- b. Open Smart Home app and tap "+" in the upper right to add a new device through the network.
- c. Ensure the device 's indicator light rapidly flashes (2 times per second) and tap "Confirm light is rapidly flashing".
- d. Select Wi-Fi network (note: network must be 2.4Ghz band) and enter the password .The device will commence the pairing process and connect to the app.
- e. After successfully configuring the devices, the AC will be shown on the smart home page. Tap to enter its control page.

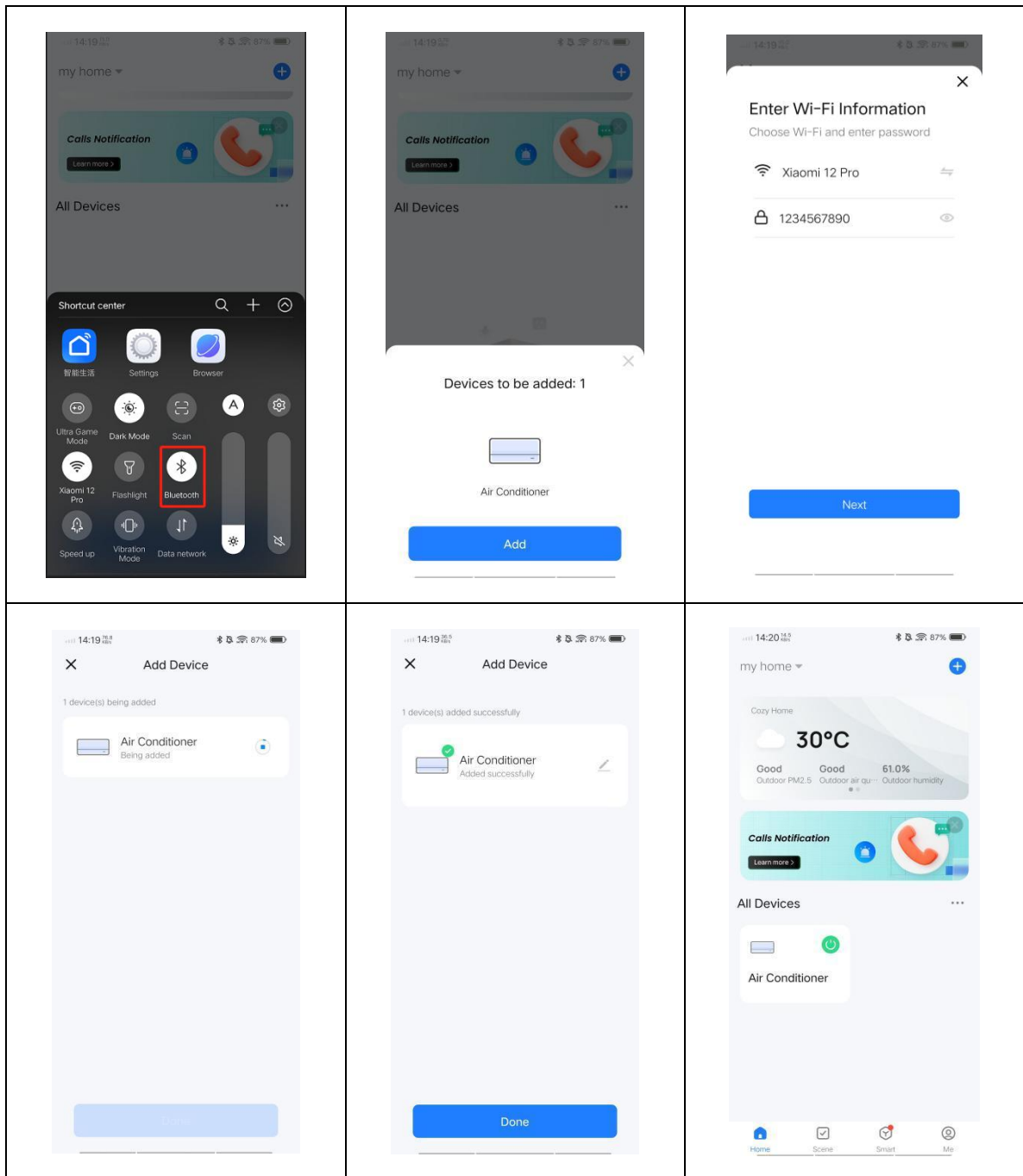


Scan QR code



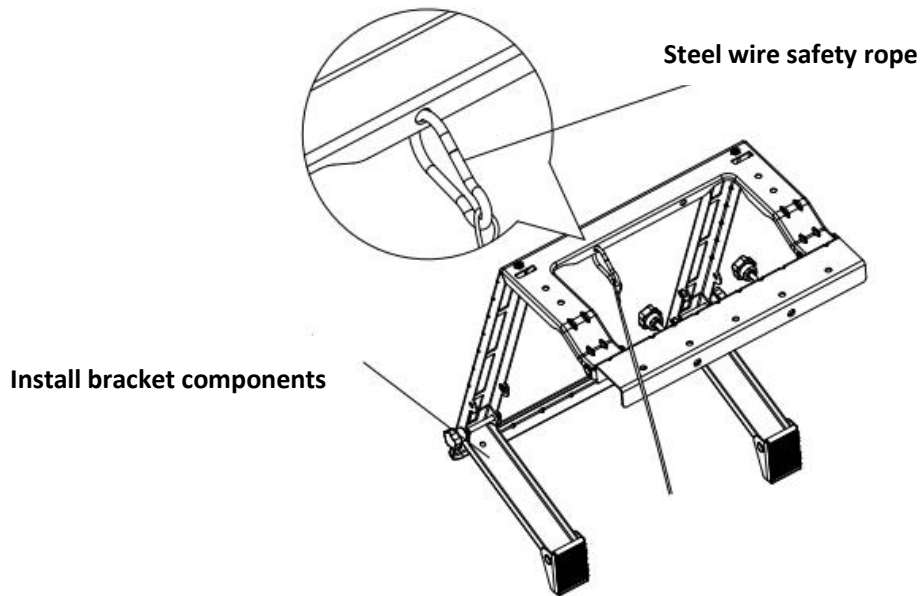
Connecting using Bluetooth

- a. Before initiating the connection, make sure the unit is in standby mode.
- b. Press the "FAN" button  for 3 seconds to enter WiFi-connect mode and WiFi signal light  starts flashing.
- c. Open the Bluetooth of your phone.
- d. When the device is powered on and to be connected, the connected Bluetooth device will pop up automatically after opening the App for a moment. Click "Add" button for connection.
- e. Enter the Wi-Fi information interface, enter the password and click "Next" to continue the operation. (note: network must be 2.4Ghz band)
- f. Enter the device connection interface after the progress bar is finished and the device is successfully connected.
- g. Click the "Done" button to enter the operation interface of the device.

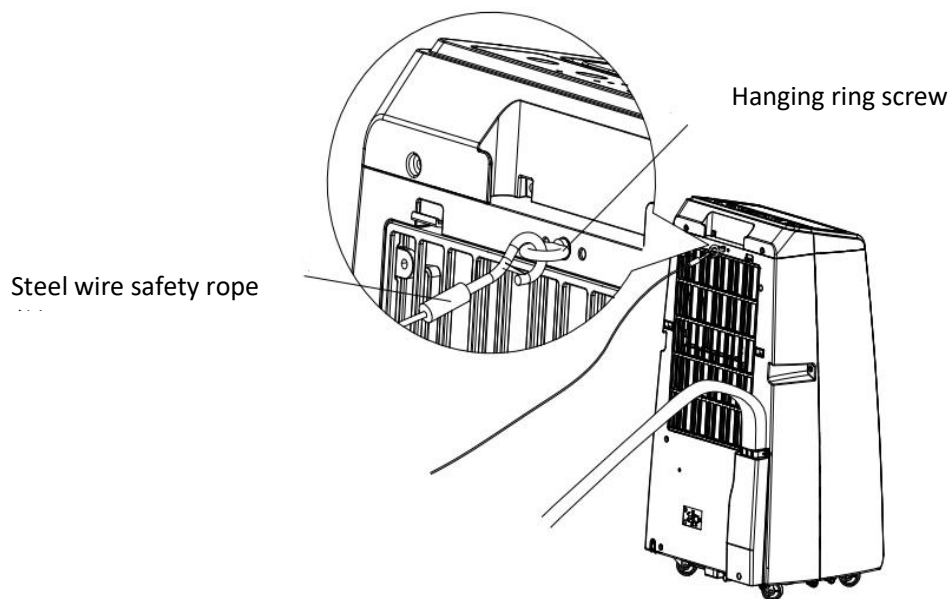


8. INSTALLATION OF THE AIR CONDITIONER

- 1) Open the packaging of the machine and accessories, and check if the hoses between the indoor and outdoor units are properly connected. Also check if the water plug is securely plugged. Finally, check if the attachments are complete.
- 2) Connect the steel wire safety rope to the installation bracket component. As shown in the picture:

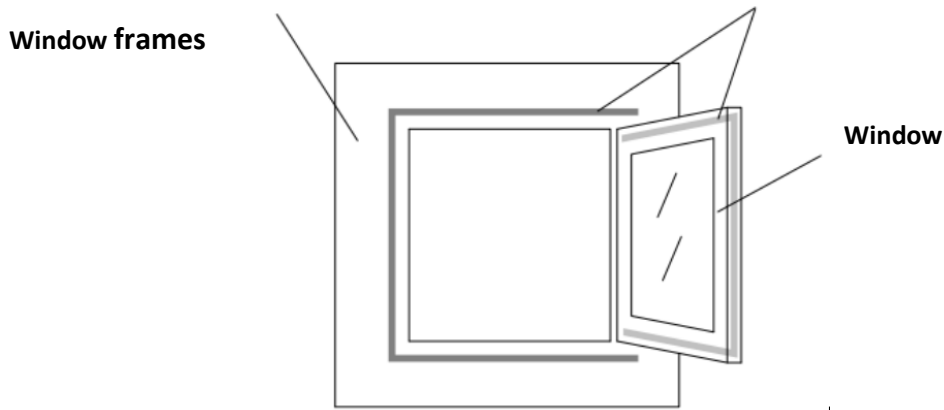


- 3) Install the lifting ring screw onto the internal machine, and then fasten the steel wire safety rope onto the lifting ring screw. As shown in the picture:

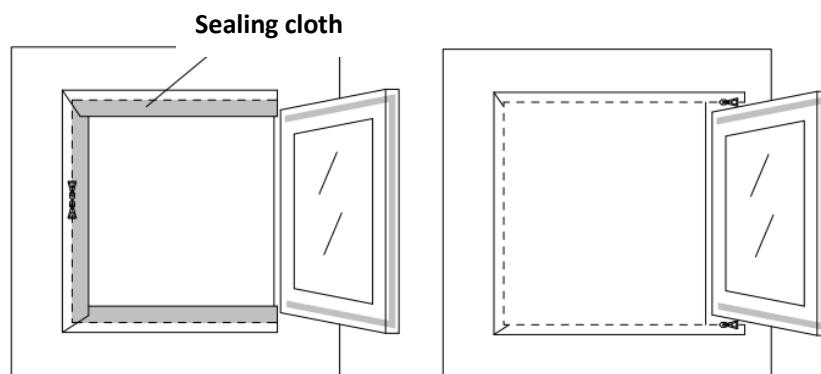


- 4) Stick the Velcro onto the window frames and onto the window. As shown in the picture:

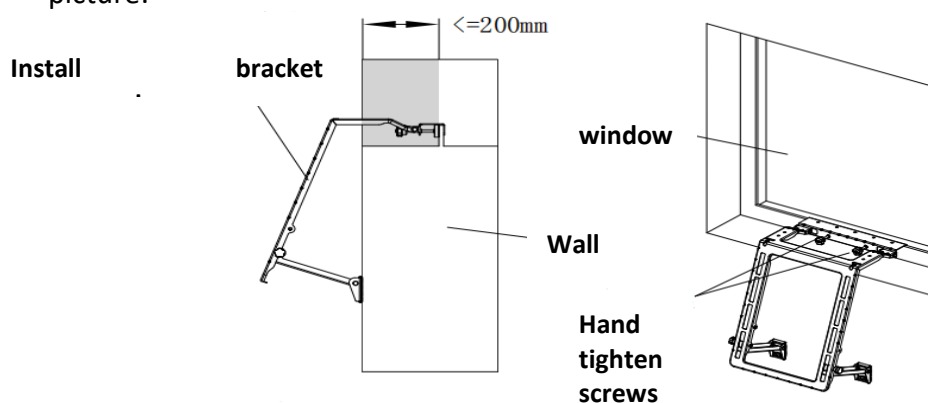
Velcro



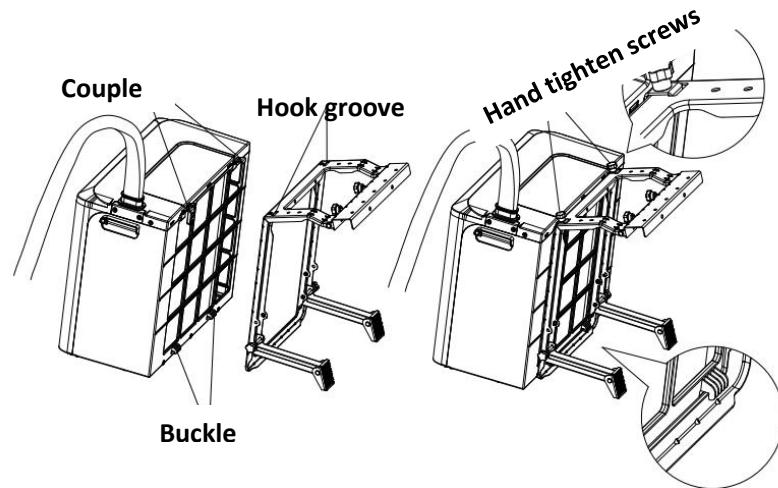
- 5) First, firmly stick the sealing cloth to the Window frames, then unzip the sealing cloth, and then stick the other side of the sealing cloth to the window. As shown in the picture:



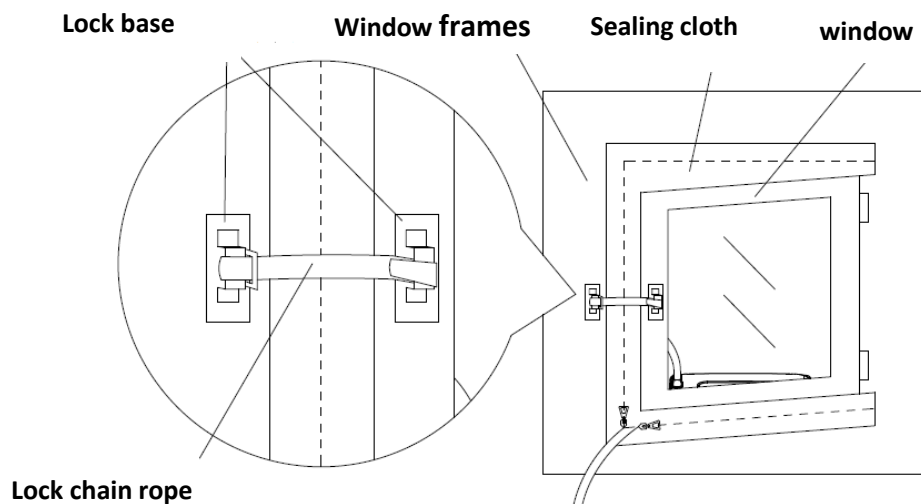
- 6) Fix the installation bracket component onto the window. The installation of the bracket component is relatively convenient, as shown in the diagram. Then, tighten the bolt by hand to firmly fix the bracket component on the window. As shown in the picture:



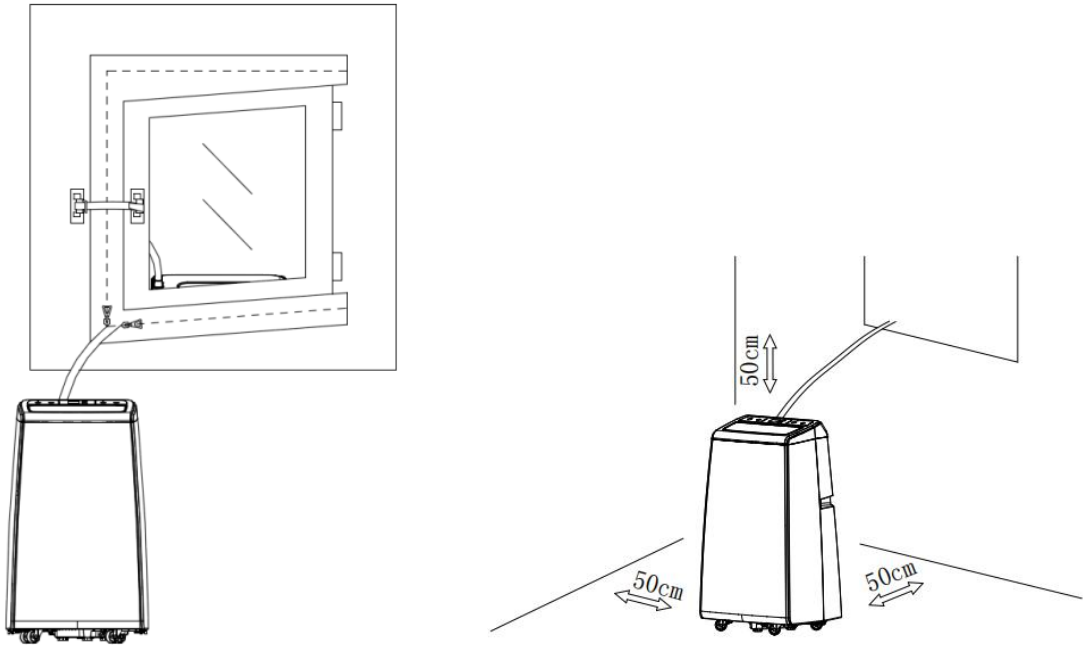
- 7) When installing the external unit, the buckle of the external unit should be fastened to the installation bracket component, and the external unit hook should be hung in the hook slot of the bracket rental. Finally, tighten the screw by hand. As shown in the picture:



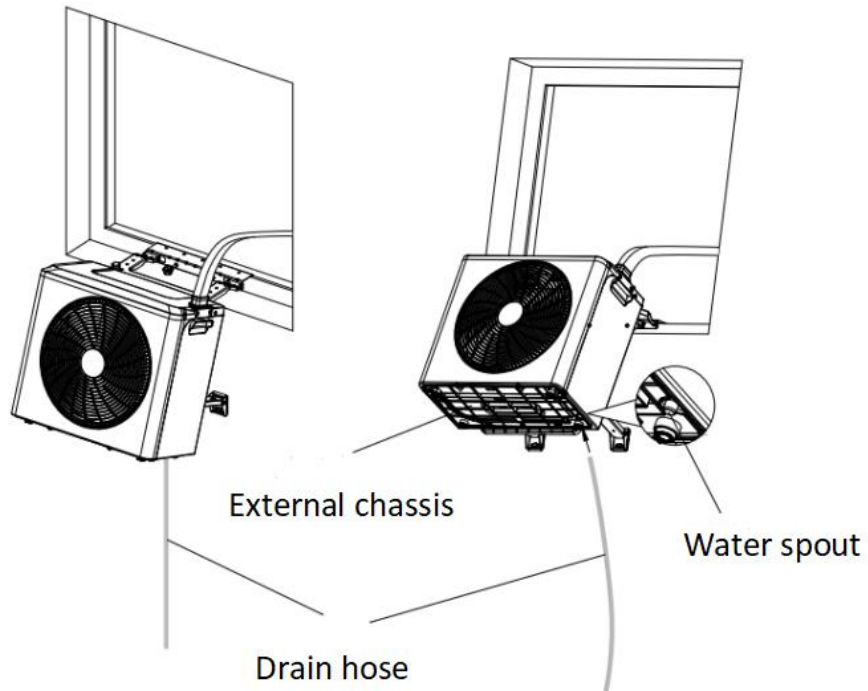
- 8) Stick the base of the lock onto the window and its appropriate position (note: the two bases should not be too far apart to avoid insufficient length of the lock's chain rope). As shown in the picture :



- 9) After installation is completed. As shown in the following figure. NOTE: Air-conditioner shall be installed in the flat and empty place all around. Don't block the air outlet, and the required distance around should be at least 50cm.



10) If the external unit requires the use of a drainage hose, simply install the drainage hose directly onto the drain nozzle. Install as follows.



9. ERROR CODE LIST

No	Cause	Code
1	Compressor drive IPM fault	F1
2	PFC/IPM fault	F2
3	Abnormal compressor start	F3
4	Compressor operation error (press out of position)	F4
5	Position detection circuit malfunction	F5
6	Phase current overcurrent protection	FA
7	DC bus voltage overvoltage and undervoltage protection	P2
8	Indoor and outdoor communication failure	E4
9	Main control board and driver board communication failure	F6
10	AC input voltage protection	P3
11	AC current overcurrent protection	P4
12	AC overvoltage and undervoltage protection	P5
13	Outdoor outdoor panel sensor malfunction (reserved)	F7
14	Return air sensor malfunction (reserved)	F8
15	Exhaust sensor malfunction	E0
16	Outdoor environment sensor malfunction (reserved)	E6
17	Outdoor DC fan malfunction	E7
18	Outdoor EE malfunction	FE
19	Abnormal temperature protection of return air sensor	PA
20	High temperature protection at the top of the compressor	P1
21	Abnormal refrigerant circulation	PE
22	Exhaust temperature protection	PH
23	Outdoor coil overload protection (reserved)	PC
24	Feedback fault of indoor DC fan	E3
25	Indoor coil overload protection	P6
26	Indoor coil freezing protection	P7
27	Indoor coil malfunction sensor malfunction	E2
28	Indoor environmental temperature sensor malfunction	E1
29	Indoor unit zero crossing detection fault	P8
30	Indoor EE malfunction	EE
31	Feedback fault of water motor	E5
32	Feedback fault of cooling fan	E8
33	Full water protection	FL

10. TROUBLE SHOOTING GUIDE

Problem	Cause	Solution
The device does not turn on	No power	Turn power on
	Damaged electrical outlet	Turn off the power and check/repair the power outlet
	Unknown reason	Contact the dealer
Little air displacement or limited cooling effect	The lowest ventilation setting is selected	Select the high ventilation speed mode
	The air filter is dirty	Check and clean the filter
	The air supply or exhaust of the indoor unit is blocked	Check that the unit is not blocked and remove the obstruction
	The air supply or exhaust from the outdoor unit is blocked	Check that the unit is not blocked and remove the obstruction
	The ambient temperature is too low or high	The ambient temperature must be between 18 and 40°C
	Insufficient voltage from the power supply	Consult an installer or use a different power connection
Air displacement only but no cooling effect	The device runs in ventilation mode	Select the cooling mode(A/C)
	The cooling mode has just turned off automatically	Wait about 3-5minutes until the thermostat switches on again
Abnormal sounds or vibrations	The mounting brackets are not properly installed on the vehicle, or the device mounting screws are not sufficiently tightened	Check that the mounting bracket is tight and tighten the device mounting screws
Water is leaking from the indoor unit	The rubber stopper on the bottom of the indoor unit is missing, or is not pressed enough	Check or replace the rubber stopper
	The device is at an angle	The device must be mounted horizontally
The appliance emits a related odor	There is a serious problem	Switch off the device immediately and contact the dealer

11. MAINTENANCE

Declaration:

- 1) Ensure the machine is unplugged before maintenance.
- 2) Do not use gasoline or other chemicals to clean the unit;
- 3) Do not wash the unit directly;
- 4) If the air conditioner is damaged, please contact the dealer or repair shop.

1. Cleaning

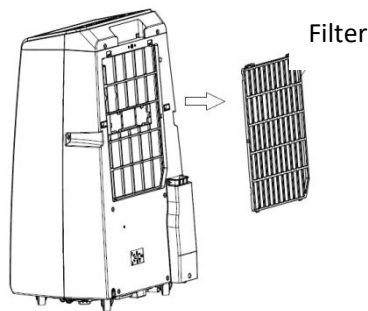
Caution: Unplug the power cord before cleaning the maintenance.

1) External cleaning

Wipe the outside with a damp cloth, and then thoroughly dry the equipment with a dry cloth. Do not allow water or harmful substances to enter the machine. Do not use gasoline or other chemicals to clean the unit;

2) Air filter

- It is important to regularly remove the dust from the filter.
- Remove the filter as shown in the picture below.
- Clean the filter with tap water and/or a vacuum cleaner to remove any dirt from the filter.
- Do not use water hotter than 40°C for cleaning and do not expose the filter to the sun.
- Make sure the filter has dried before putting it back in the air conditioner.

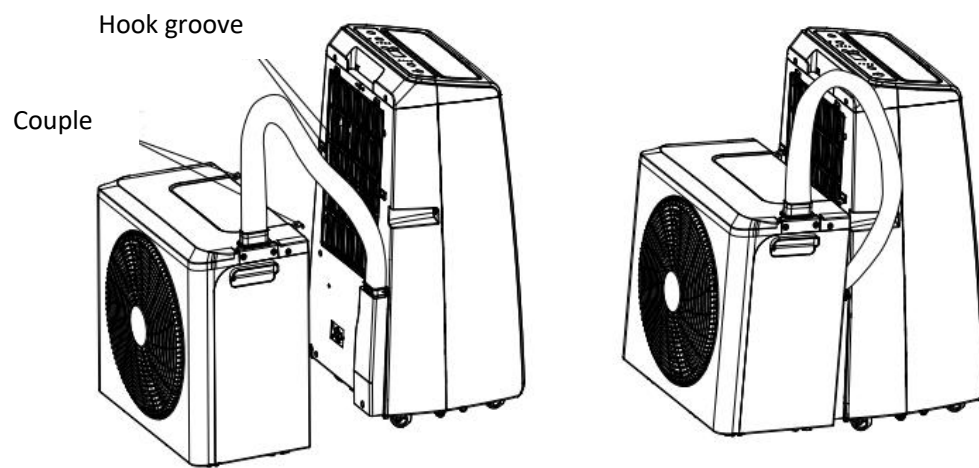


2. Maintenance

- 1) Remove the rubber plug from the drainage outlet and drain the condensate water in the appropriate position.
- 2) When the air conditioner is not in use for a long time, it is necessary to bring the outdoor unit back indoors to prevent dust, debris, etc. from falling into the air outlet.

3. Storage

- 1) Remove the air conditioner from the installation location;
- 2) Remove the rubber seal from the indoor unit and outdoor unit, drain the condensate water.
- 3) Keep running in fan mode to make the internal dry.
- 4) Turn off the conditioner and pull down the plug.
- 5) Wash the filter then install.
- 6) Remove all the brackets on the air conditioner, install the brackets of the outdoor unit on the indoor unit, assemble as shown in the figure below.
- 7) Store the air conditioner in a cool and dry place. We recommend that you put the air conditioner back in its packaging when you store it. This prevents dirt and dust from collecting on the air conditioner.



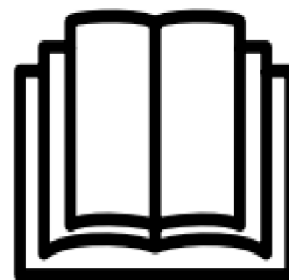
❖ The above technical parameters are subject to change without prior notice.

1. VEILIGHEIDSINSTRUCTIES

BELANGRIJK!

AIRCONDITIONERS MOETEN ALTIJD WORDEN OPGESLAGEN EN VERVOERD RECHTSTAANDE, ANDERSZINS ONHERSTELBARE SCHADE KAN WORDEN VEROORZAAKT AAN



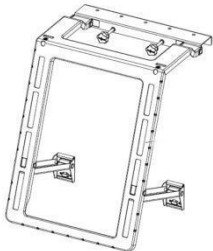
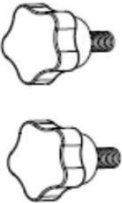

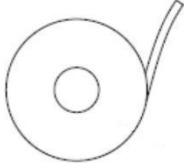

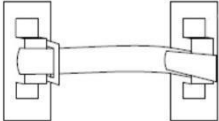

DE COMPRESSOR; BIJ TWIJFEL RADEN WIJ AAN TEN MINSTE 24 TE WACHTEN UREN NA DE INSTALLATIE VOOR HET STARTEN VAN DE UNIT.



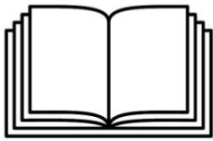


2. TECHNISCHE GEGEVENS

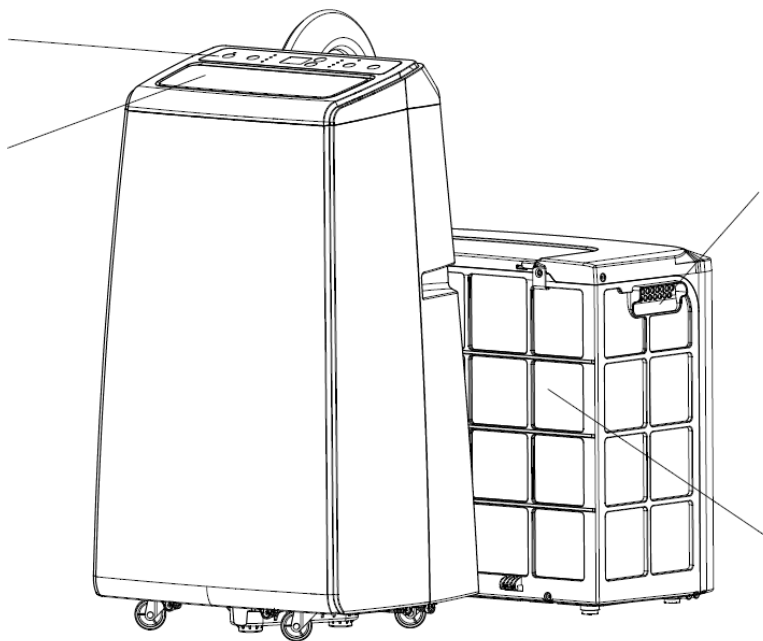
Spanning:	220~240V 50/60Hz	Luchtstroomcapaciteit:	380-440m ³ /H
Koelcapaciteit:	12000 btu/u (3500 W)	Ontvochtigingscapaciteit:	1,2 l/u
Verwarmingscapaciteit:	12000 btu/u (3500 W)	Isolatieklasse (voor buitendeel):	IPX4
Koelvermogen:	1300W	Compressortype:	Rotortype
Verwarmingsvermogen:	1200W	Koelmiddel:	R32, 640g
Afmetingen binnenunit:	440×320×730mm	Geluidsdruk niveau (voor binnengedeelte):	39/47/50/52dB
Afmetingen buitenunit:	492×263×460mm	Nettogewicht / Brutogewicht:	36,5/45 kg

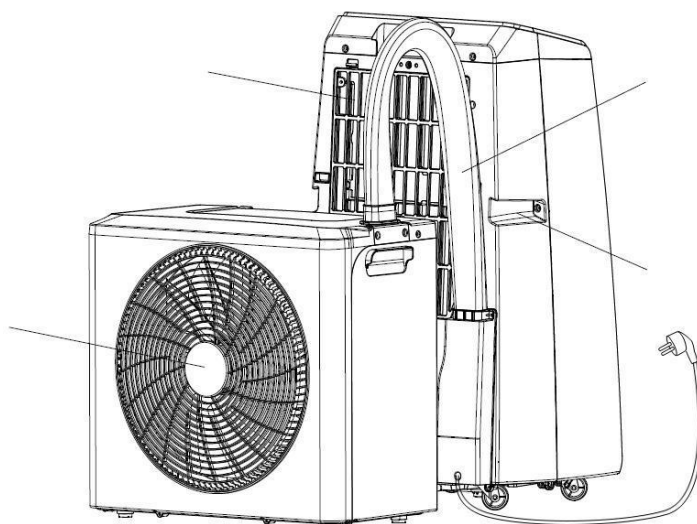
3. PAKKETLIJST

 Airconditioner	 Afstandsbediening	 Installeer de beugelcomponenten
 2 stuks Handvast schroeven	 Afdichtingsdoek	 Klittenband
 Slot gesp	 Slot gesp	

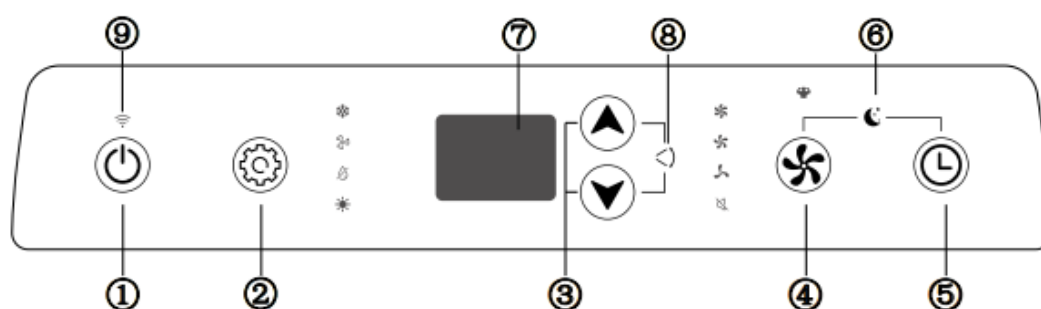
Afvoerslang		Staaldraad veiligheidskabel (optioneel)
 Ophangringschroef (optioneel)	 2 stuks batterij (1,5 V, AAA)	 Handmatig

4. BENAMING VAN ONDERDELEN





5. WERKING VAN HET BEDIENINGSPANEEL

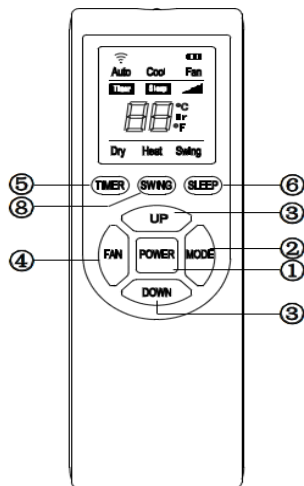


Druk op deze knop om de airconditioning aan/uit te zetten.

Druk op deze knop om de modi koelen, luchttoevoer, ontvochtigen en verwarmen te selecteren.

Wanneer u zich in de koel-/verwarmingsmodus bevindt, kunt u door op deze toets te drukken de ingestelde temperatuur naar boven of beneden aanpassen; In de getimede modus drukt u op deze toets om de getimede aan/uit-tijd aan te passen.

Druk op deze toets om de hoge windsnelheid, de gemiddelde windsnelheid te selecteren. Lage windsnelheid, stille windsnelheid of sterke windsnelheid.



⑤ Timer


Druk in de standby-modus op deze toets om de timer in te stellen. Opstarttijd; Druk op deze toets terwijl deze is ingeschakeld. Kan een getimede uitschakeltijd instellen.

Druk op deze toetsencombinatie in de koel-/verwarmingsmodus


Ga vervolgens naar de slaapmodus.

Dit venster toont de aangepaste temperatuur en tijd.






Druk op deze toetsencombinatie om de swingfunctie in/uit te schakelen.


In de standby-modus, druk op de FAN-knop  "op het bedieningspaneel gedurende 3 seconden om het WIFI-netwerk te resetten of WIFI te ontkoppelen.

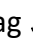
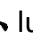

6. FUNCTIE INLEIDING

1) Na het inschakelen zal de standaard koelmodus of het indrukken van de modusknop om de koelmodus te selecteren het displaylampje voor de koeling inschakelen .


2) Druk op de knop omhoog of omlaag om de temperatuur aan te passen (tussen 16 °C en 30 °C).

3) Druk op de windsnelheidknop om hoog te selecteren , gemiddeld , laag , stil  , of sterk  windsnelheden.

1) Druk op de modusknop of selecteer de luchttoevoermodus via de afstandsbediening en het indicatielampje voor de luchttoevoer  zal inschakelen.

2) Druk op de windsnelheidknop om hoog te selecteren , gemiddeld , laag  lucht snelheid.


3) De temperatuur kan niet worden ingesteld.

1) Druk op de modusknop of selecteer de ontvochtigingsmodus via de afstandsbediening en het ontvochtigingslampje  zal inschakelen. In de ontvochtigingsmodus is de vierwegklep gesloten.


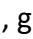
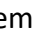

2) Temperatuurregelbereik: 16 °C ~ 30 °C.

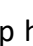

3) In deze modus zijn er functies zoals timer, swing en power-off-geheugen.


4) Druk op de luchtsnelheidknop om een lage of stille luchtsnelheid te selecteren.

1) Druk op de modustoets of selecteer de verwarmingsmodus via de afstandsbediening, waarna het verwarmingsindicatielampje gaat branden  zal inschakelen.

2) Druk op de knop omhoog of omlaag om de ingestelde temperatuur aan te passen (tussen 16 °C en 30 °C).

3) Druk op de windsnelheidknop om hoog te selecteren , gemiddeld , laag , of stil  windsnelheden.

1) Wanneer ingeschakeld, drukt u op de slaapknop op de afstandsbediening of op de combinatieknop op het bedieningspaneel (+) om de slaapfunctie te activeren. Het display als "SL", wat alleen effectief is in de koel- en verwarmingsmodi.

2) De ventilator draait stil  windsnelheid.

3) Na een tijdje draaien gaat de temperatuur omhoog (koelmodus) of omlaag (verwarmingsmodus).

4) De airconditioner in de slaapmodus wordt na 8 uur automatisch uitgeschakeld.

7. SMART HOME WIFI-VERBINDINGSGIDS



Installeer app Scan QR code

Download de app 'Smart life' uit de Play Store (Android) of App Store (iOS).



Register

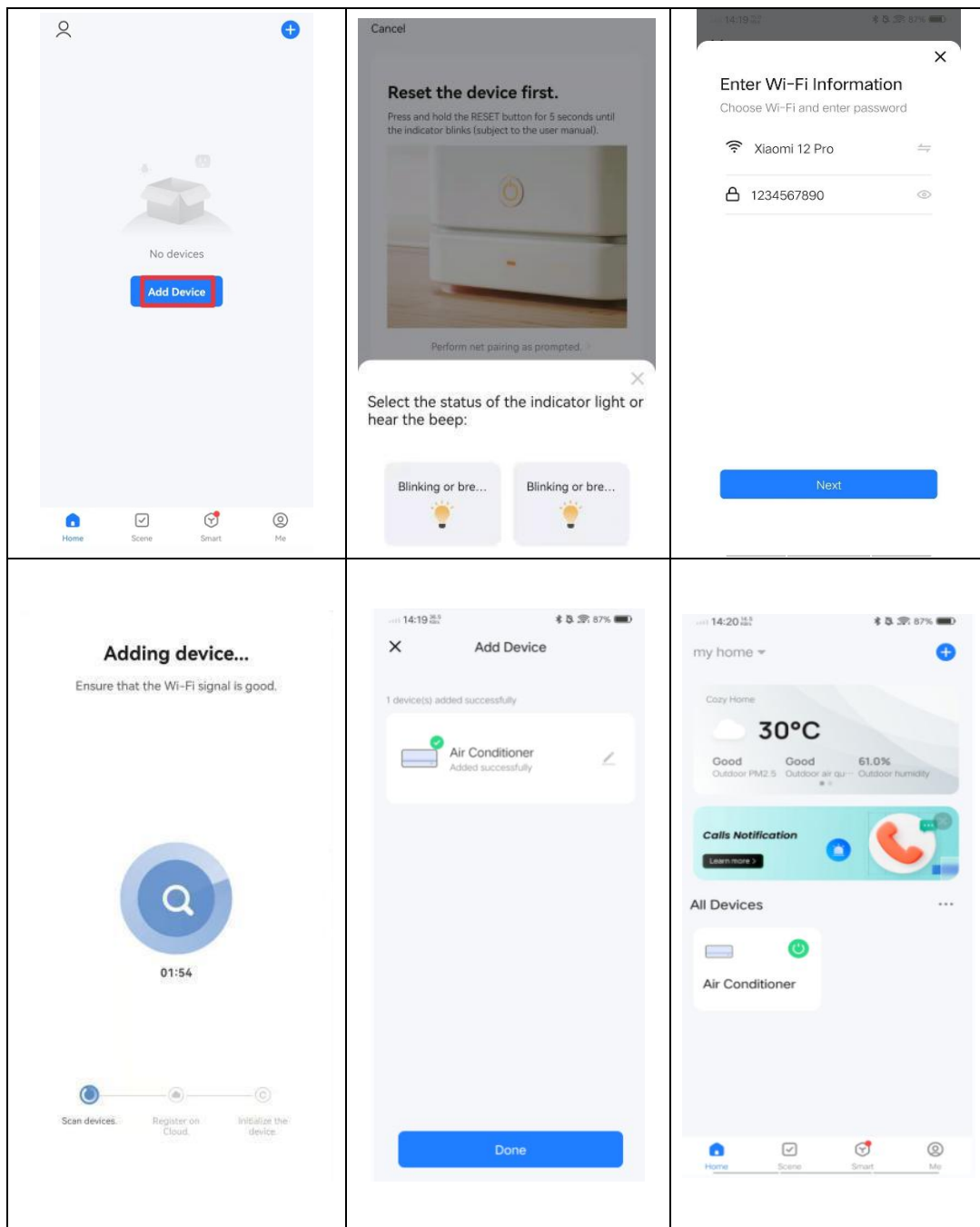
Als u geen Smarter Home-account heeft, kunt u zich registreren of inloggen met een verificatiecode die per sms wordt verzonden.

Registreren:


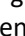
1. Tik om de registratiepagina te openen
2. Het systeem herkent automatisch uw land/gebied. U kunt uw landcode ook handmatig selecteren. Voer uw mobiele telefoonnummer/e-mailadres in en tik op "Volgende".
3. Als u de optie voor het mobiele telefoonnummer kiest, voert u de verificatiecode in het bericht dat u per sms ontvangt. Stel een wachtwoord in zoals gevraagd en druk op "Bevestigen" om uw registratie te voltooien.

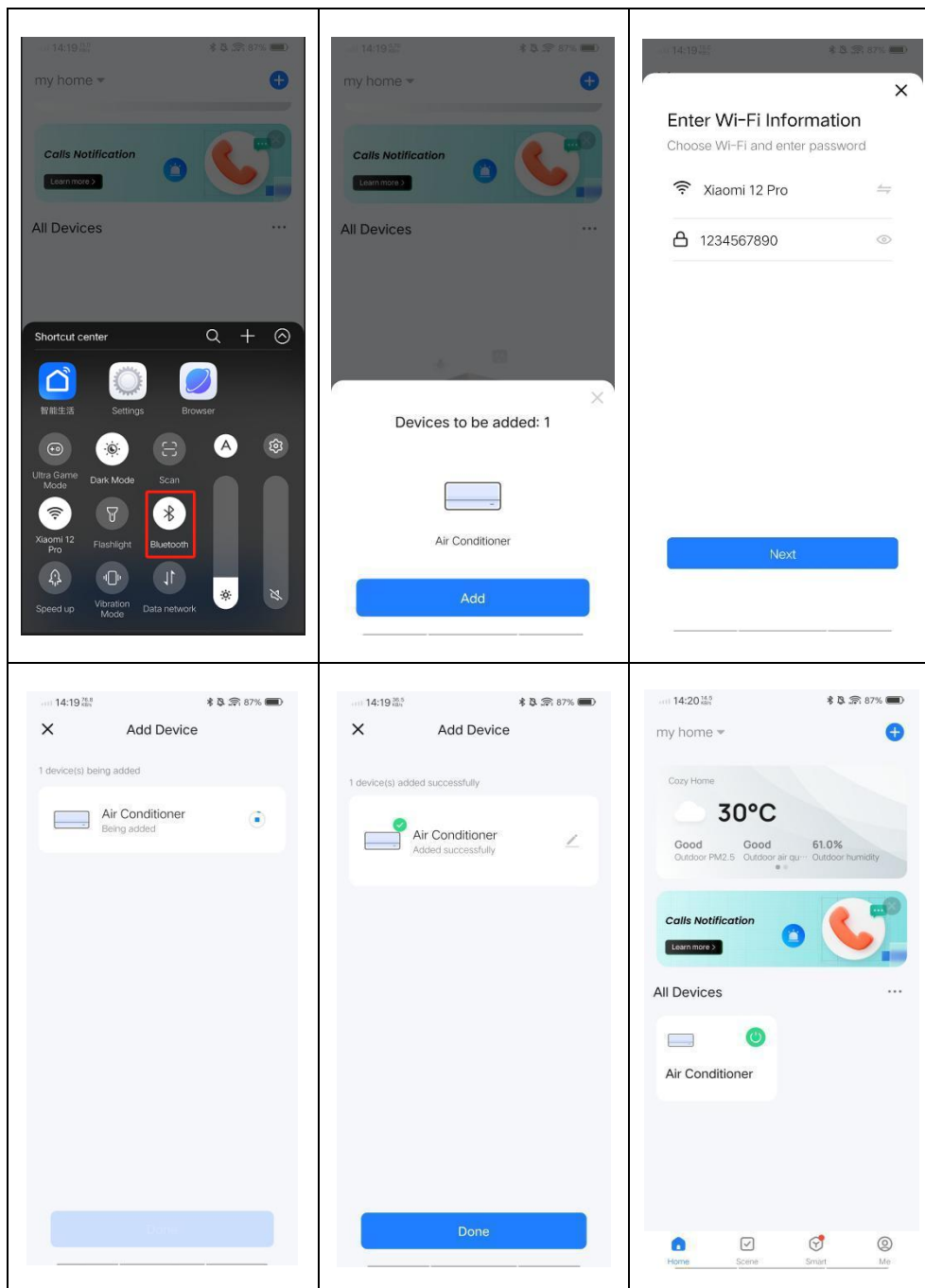
Apparaat toevoegen via netwerk

- a. Wanneer de conditioner in de standby-modus staat, drukt u op de FAN-knop  op het bedieningspaneel gedurende 3 seconden om naar de WiFi-verbindingsmodus te gaan, en het WiFi-signaallampje gaat branden  begint te knipperen.
- b. Open de Smart Home-app en tik rechtsboven op "+" om een nieuw apparaat toe te voegen via het netwerk.
- c. Zorg ervoor dat het indicatielampje van het apparaat snel knippert (2 keer per seconde) en tik op "Bevestigen dat het lampje snel knippert".
- d. Selecteer Wi-Fi-netwerk (let op: het netwerk moet een 2,4GHz-band zijn) en voer het wachtwoord in. Het apparaat start het koppelingsproces en maakt verbinding met de app.
- e. Nadat de apparaten succesvol zijn geconfigureerd, wordt de AC weergegeven op de slimme startpagina. Tik om de bedieningspagina te openen.



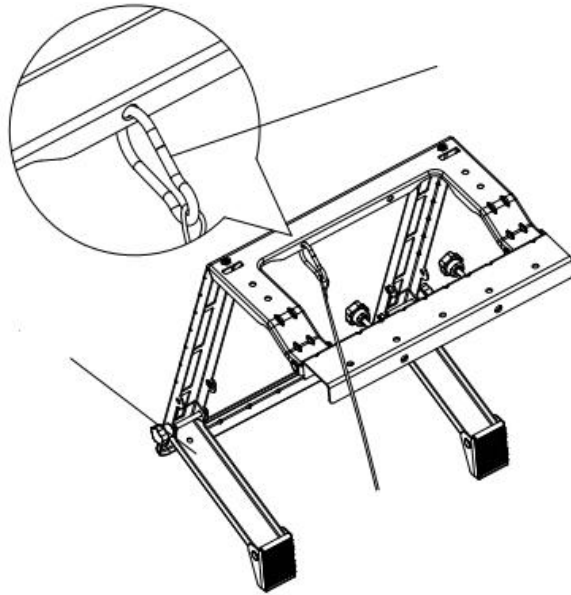
Verbinding maken via Bluetooth

- a. Zorg ervoor dat het apparaat in de stand-bymodus staat voordat u de verbinding tot stand brengt.
- b. Druk op de "FAN"-knop  gedurende 3 seconden om naar de WiFi-verbindingsmodus te gaan en het WiFi-signaallampje gaat branden  begint te knipperen.
- c. Open de Bluetooth van uw telefoon.
- d. Wanneer het apparaat is ingeschakeld en verbonden moet worden, zal het verbonden Bluetooth-apparaat automatisch verschijnen nadat de app een moment is geopend. Klik op de knop "Toevoegen" om verbinding te maken.
- e. Ga naar de Wi-Fi-informatie-interface, voer het wachtwoord in en klik op "Volgende" om door te gaan met de bewerking. (let op: netwerk moet 2,4GHz-band zijn)
- f. Ga naar de apparaatverbindingsinterface nadat de voortgangsbalk is voltooid en het apparaat is succesvol verbonden.
- g. Klik op de knop "Gereed" om de bedieningsinterface van het apparaat te openen.

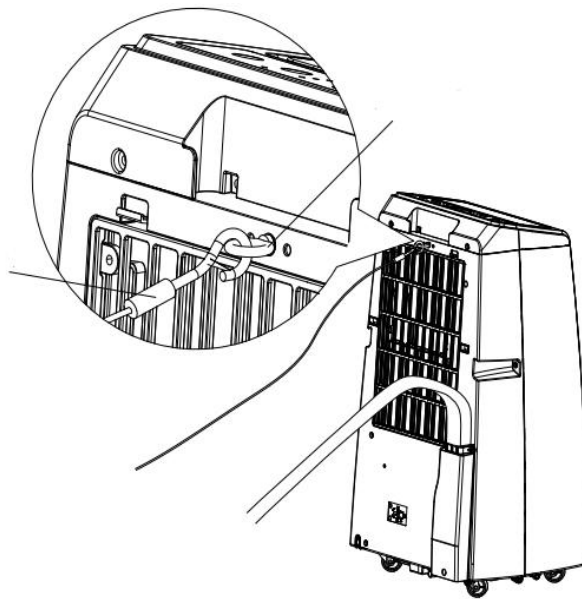


8. INSTALLATIE VAN DE AIRCONDITIONER

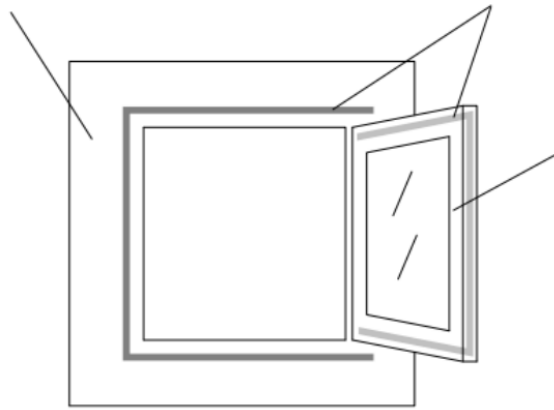
1. Open de verpakking van de machine en accessoires en controleer of de slangen tussen de binnen- en buitenunit goed zijn aangesloten. Controleer ook of de waterplug goed is aangesloten. Controleer ten slotte of de bijlagen compleet zijn.
2. Sluit de staaldraadveiligheidskabel aan op het installatiebeugelonderdeel. Zoals weergegeven op de afbeelding:



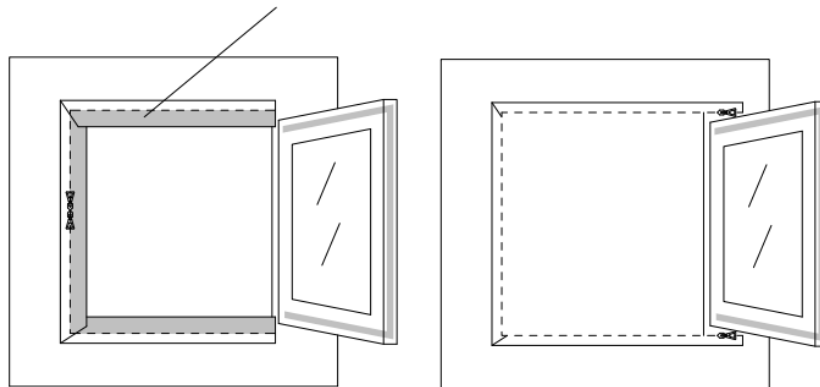
3. Installeer de hijsringschroef op de interne machine en bevestig vervolgens de staaldraadveiligheidskabel op de hijsringschroef. Zoals weergegeven op de afbeelding:



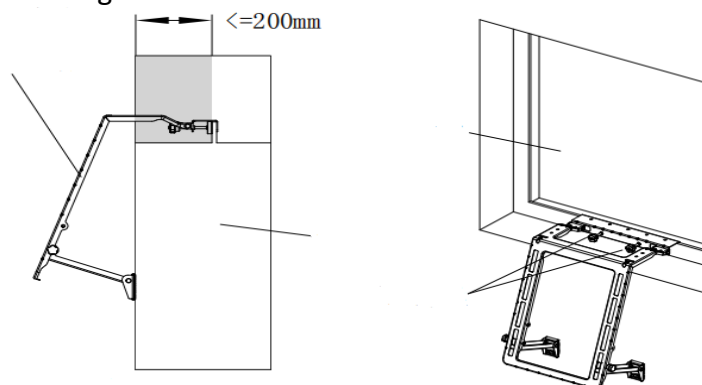
4. Plak het klittenband op de raamkozijnen en op het raam. Zoals weergegeven op de afbeelding:



5. Plak eerst het afdichtingsdoek stevig op de raamkozijnen, rits vervolgens het afdichtingsdoek open en plak vervolgens de andere kant van het afdichtingsdoek op het raam. Zoals weergegeven op de afbeelding:

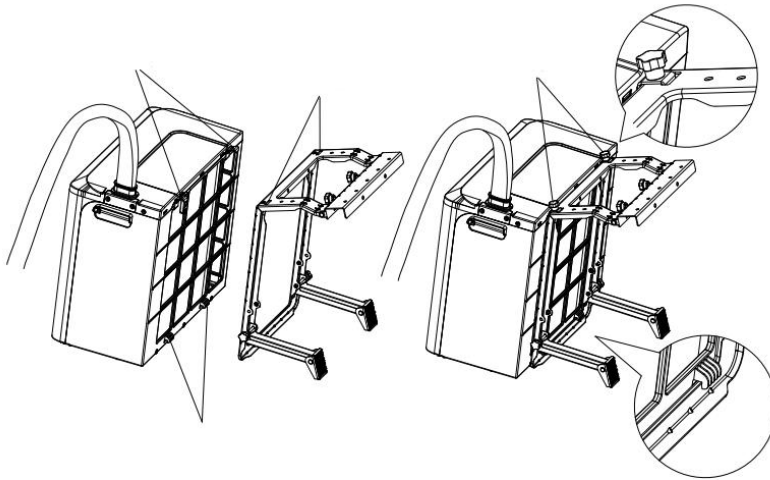


6. Bevestig het installatiebeugelonderdeel op het raam. De installatie van het beugelonderdeel is relatief eenvoudig, zoals weergegeven in het diagram. Draai vervolgens de bout met de hand vast om het beugelonderdeel stevig op het raam te bevestigen. Zoals weergegeven op de afbeelding:

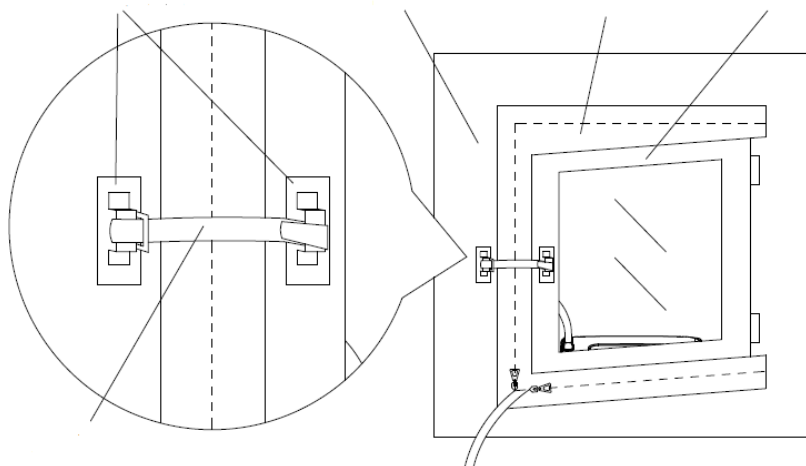


7. Bij het installeren van de buiteneenheid moet de gesp van de buiteneenheid aan het onderdeel van de installatiebeugel worden bevestigd en moet de haak van de

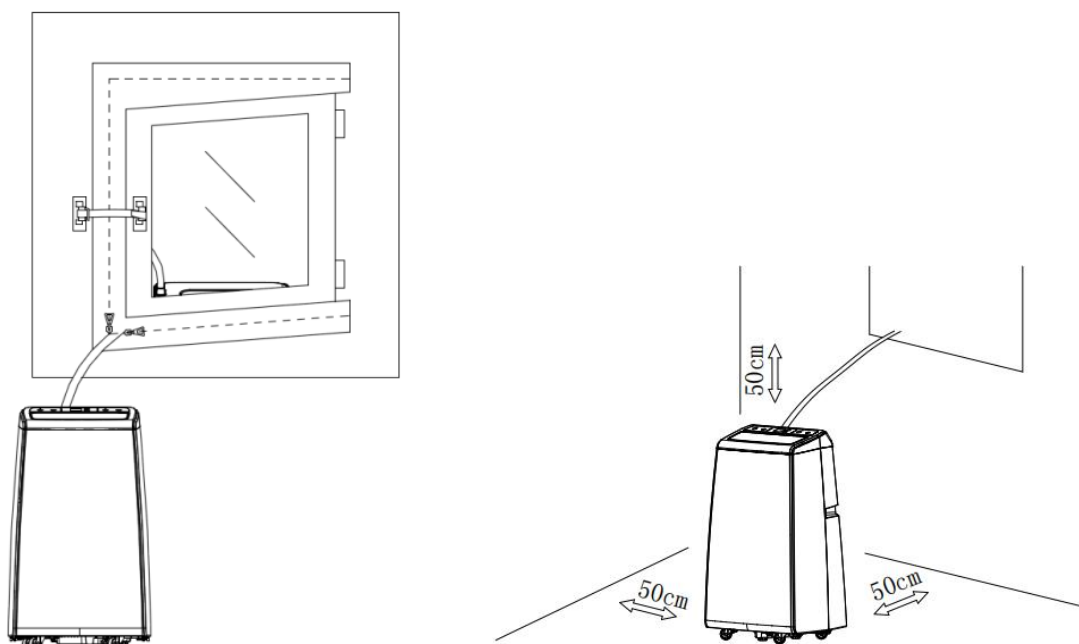
buiteneenheid in de haakgleuf van de huurbeugel worden gehangen. Draai tenslotte de schroef met de hand vast. Zoals weergegeven op de afbeelding:



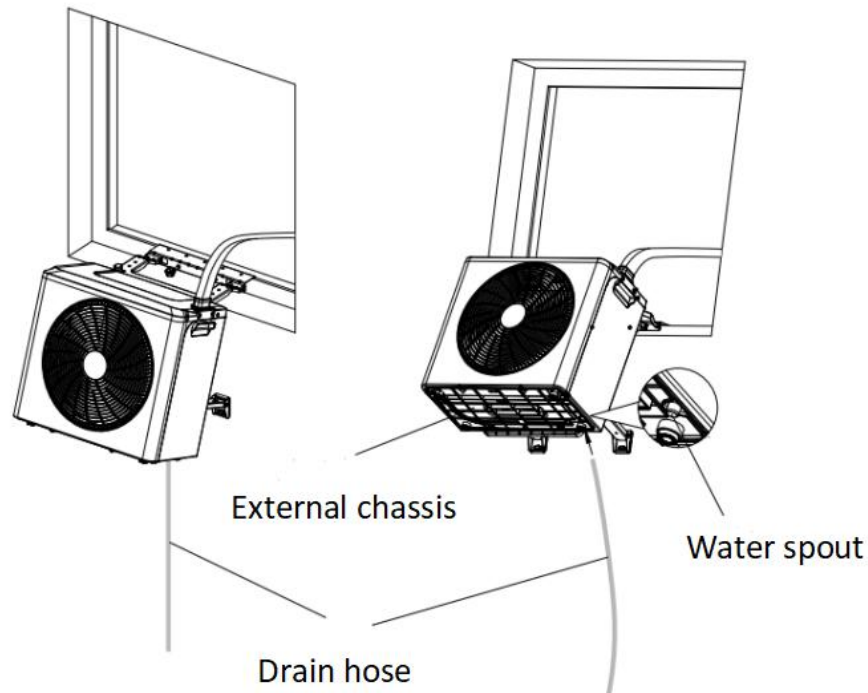
8. Plak de basis van het slot op het raam en op de juiste plaats (let op: de twee basissen mogen niet te ver uit elkaar staan om te voorkomen dat de kettingkabel van het slot onvoldoende lang is). Zoals weergegeven in de afbeelding:



9. Nadat de installatie is voltooid. Zoals weergegeven in de volgende afbeelding. OPMERKING: De airconditioner moet rondom op een vlakke en lege plaats worden geïnstalleerd. Blokkeer de luchtuitlaat niet en de vereiste afstand rondom moet minimaal 50 cm zijn.



10. Als de buitenunit het gebruik van een afvoerslang vereist, installeert u de afvoerslang eenvoudigweg rechtstreeks op het afvoermondstuk. Installeer als volgt.



9. FOUTCODELIJST

Nee	Oorzaak	Code
1	IPM-fout compressoraandrijving	F1
2	PFC/IPM-fout	F2
3	Abnormale start van de compressor	F3
4	Fout in werking compressor (uit positie gedrukt)	F4
5	Storing in het positiedetectiecircuït	F5
6	Fasestroom-overstroombeveiliging	MAAR
7	Beveiliging tegen overspanning en onderspanning van de DC-bus	P2
8	Communicatiefout binnen en buiten	E4
9	Communicatiefout hoofdbesturingskaart en driverkaart	F6
10	Bescherming tegen AC-ingangsspanning	P3
11	AC-stroom-overstroombeveiliging	P4
12	AC-overspannings- en onderspanningsbeveiliging	P5
13	Storing buitenpaneelsensor buiten (gereserveerd)	F7
14	Storing retourluchtsensor (gereserveerd)	F8
15	Uitlaatsensor defect	E0
16	Storing buitenomgevingssensor (gereserveerd)	E6
17	Storing DC-buitenventilator	E7
18	Storing in buiten-EE	FE
19	Abnormale temperatuurbeveiliging van retourluchtsensor	Goed
20	Bescherming tegen hoge temperaturen aan de bovenkant van de compressor	P1
21	Abnormale koelmiddelcirculatie	OP

22	Bescherming tegen uitlaattemperatuur	PH
23	Overbelastingsbeveiliging voor buitenbatterij (gereserveerd)	PC
24	Feedbackfout van DC-binnenventilator	E3
25	Beveiliging tegen overbelasting van de binnenbatterij	P6
26	Bescherming tegen bevriezing van binnenbatterijen	P7
27	Storing sensor binnenspoel	E2
28	Storing binnentemperatuursensor	E1
29	Fout bij detectie nuldoorgang binneneenheid	P8
30	Storing binnen-EE	EE
31	Feedbackfout van watermotor	E5
32	Feedbackfout van koelventilator	E8
33	Volledige waterbescherming	FL

10. HANDLEIDING VOOR HET OPLOSSEN VAN PROBLEMEN

Probleem	Oorzaak	Oplossing
Het apparaat gaat niet aan	Geen stroom	Schakel de stroom in
	Beschadigd stopcontact	Schakel de stroom uit en controleer/repareer het stopcontact
	Onbekende reden	Neem contact op met de dealer
Weinig luchtverplaatsing of beperkt koeffect	De laagste ventilatiestand is geselecteerd	Selecteer de modus hoge ventilatiesnelheid
	Het luchtfilter is vuil	Controleer en reinig het filter
	De luchttoevoer of -afvoer van de binneneenheid is geblokkeerd	Controleer of de unit niet geblokkeerd is en verwijder de obstructie
	De luchttoevoer of -afvoer van de buitenunit is geblokkeerd	Controleer of de unit niet geblokkeerd is en verwijder de obstructie
	De omgevingstemperatuur is te laag of te hoog	De omgevingstemperatuur moet tussen 18 en 40°C liggen
	Onvoldoende spanning van de voeding	Raadpleeg een installateur of gebruik een andere stroomaansluiting
Alleen luchtverplaatsing, maar geen koeffect	Het apparaat werkt in de ventilatiemodus	Selecteer de koelmodus (A/C)
	De koelmodus is zojuist automatisch uitgeschakeld	Wacht ongeveer 3-5 minuten totdat de thermostaat weer inschakelt

Abnormale geluiden of trillingen	De montagebeugels zijn niet goed op het voertuig geïnstalleerd, of de bevestigingsschroeven van het apparaat zijn niet correct geïnstalleerd voldoende vastgedraaid	Controleer of de montagebeugel goed vastzit en draai de bevestigingsschroeven van het apparaat vast
Er lekt water uit de binnenunit	De rubberen stop aan de onderkant van de binnenunit ontbreekt of is niet voldoende ingedrukt	Controleer of vervang de rubberen stop
	Het apparaat staat in een hoek	Het apparaat moet horizontaal worden gemonteerd
Het apparaat geeft een gerelateerde geur af	Er is een ernstig probleem	Schakel het apparaat onmiddellijk uit en neem contact op met de dealer

11. ONDERHOUD

Verklaring:

- 1) Zorg ervoor dat de machine vóór onderhoud is uitgeschakeld.
- 2) Gebruik geen benzine of andere chemicaliën om het apparaat schoon te maken;
- 3) Was het apparaat niet rechtstreeks;
- 4) Als de airconditioner beschadigd is, neem dan contact op met de dealer of reparatiewerkplaats.

1. Schoonmaak

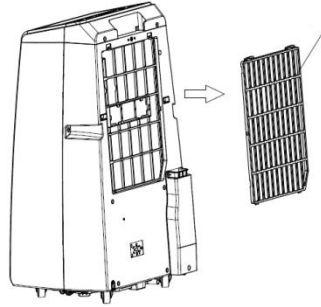
Let op: Haal de stekker uit het stopcontact voordat u het onderhoud uitvoert.

1) Externe reiniging

Veeg de buitenkant af met een vochtige doek en droog het apparaat vervolgens grondig af met een droge doek. Zorg ervoor dat er geen water of schadelijke stoffen in de machine terechtkomen. Gebruik geen benzine of andere chemicaliën om het apparaat schoon te maken;

2) Luchtfilter

- Het is belangrijk om regelmatig het stof uit het filter te verwijderen.
- Verwijder het filter zoals weergegeven in onderstaande afbeelding.
- Reinig het filter met leidingwater en/of een stofzuiger om eventueel vuil uit het filter te verwijderen.
- Gebruik voor het reinigen geen water heter dan 40°C en stel het filter niet bloot aan de zon.
- Zorg ervoor dat het filter is opgedroogd voordat u het terugplaatst in de airconditioner.

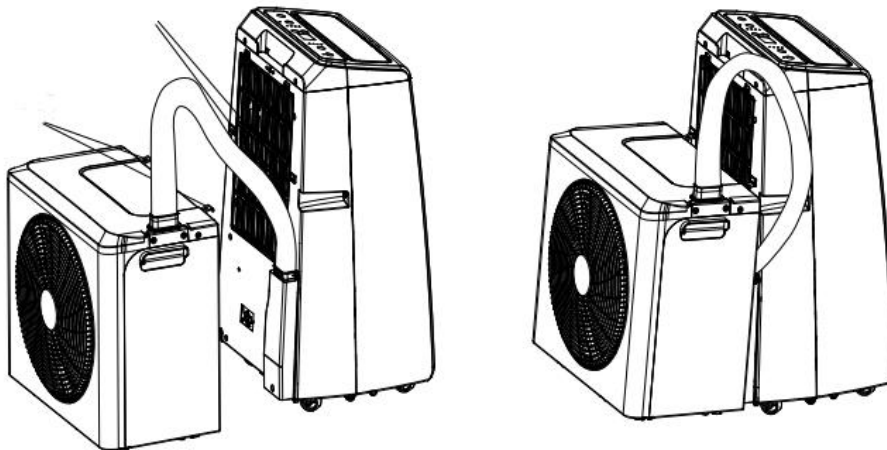


2. Onderhoud

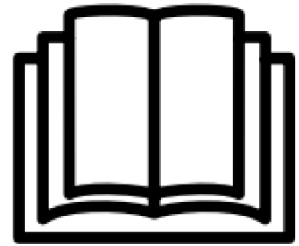
- 1) Verwijder de rubberen plug uit de afvoeropening en tap het condenswater af op de juiste plaats.
- 2) Wanneer de airconditioner langere tijd niet wordt gebruikt, is het noodzakelijk om de buitenunit weer naar binnen te brengen om te voorkomen dat stof, vuil enz. in de luchtuitlaat terecht komt.

3. Opslag

- 1) Verwijder de airconditioner van de installatielocatie;
- 2) Verwijder de rubberen afdichting van de binnenunit en de buitenunit en tap het condenswater af.
 3. Blijf in de ventilatormodus draaien om de binnenkant droog te maken.
 4. Schakel de conditioner uit en trek de stekker uit het stopcontact.
 5. Was het filter en installeer het vervolgens.
 6. Verwijder alle beugels van de airconditioner, installeer de beugels van de buitenunit op de binnenunit en monteer zoals weergegeven in onderstaande afbeelding.
 7. Bewaar de airconditioner op een koele en droge plaats. Wij raden u aan de airconditioner terug in de verpakking te plaatsen wanneer u deze opbergt. Dit voorkomt dat vuil en stof zich ophopen op de airconditioner.



- De bovenstaande technische parameters kunnen zonder voorafgaande kennisgeving worden gewijzigd.





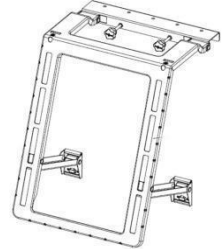
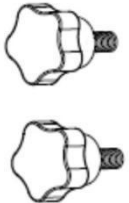



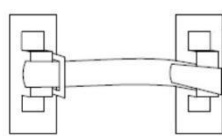

WICHTIG!



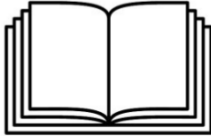
KLIMAAANLAGE MÜSSEN IMMER GELAGERT UND TRANSPORTIERT WERDEN AUFRICHTEN, SONST KANN ES ZU irreparablen Schäden kommen DER KOMPRESSOR; IM ZWEIFEL EMPFEHLEN WIR, MINDESTENS 24 ZU WARTEN STUNDEN NACH DER INSTALLATION, BEVOR SIE DAS GERÄT STARTEN.

2. TECHNISCHE DATEN

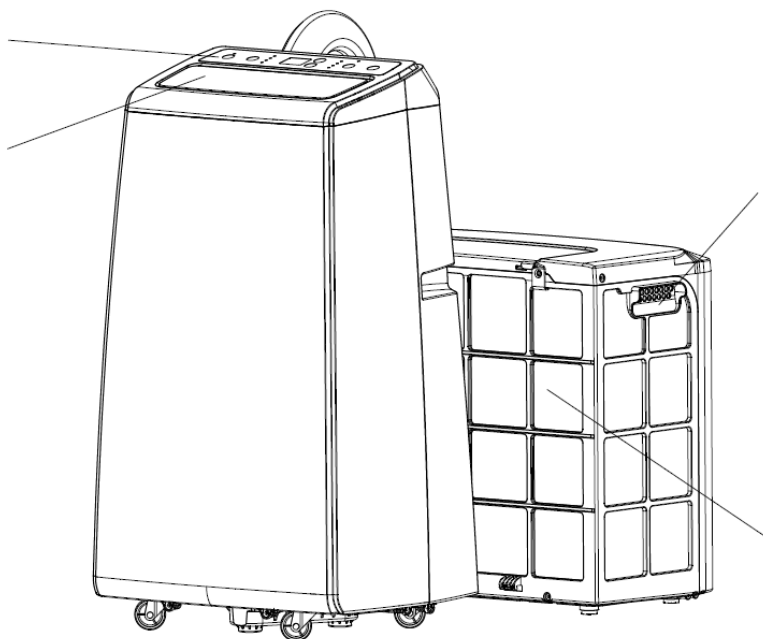
Stromspannung:	220~240V 50/60Hz	Luftdurchsatzkapazität:	380-440m³/H
Kühlleistung:	12000 BTU/h (3500 W)	Entfeuchtungsleistung:	1,2 l/h
Heizleistung:	12000 BTU/h (3500 W)	Isolationsklasse (für Außenteil):	IPX4
Kühlleistungsaufnahme:	1300W	Kompressortyp:	Rotortyp
Heizleistungsaufnahme:	1200W	Kältemittel:	R32, 640g
Abmessungen Inneneinheit:	440×320×730mm	Schalldruckpegel (für den Innenbereich):	39/47/50/52 dB
Abmessungen Außengerät:	492×263×460mm	Nettogewicht / Bruttogewicht:	36,5/45kg

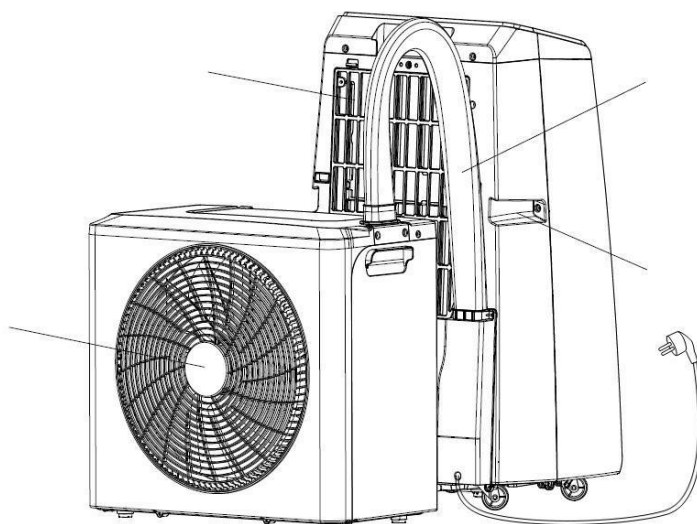
3. PACKLISTE

 <p>Klimaanlage</p>	 <p>Fernbedienung</p>	 <p>Halterungskomponenten installieren</p>
 <p>2 Stück Schrauben handfest anziehen</p>	 <p>Dichtungstuch</p>	 <p>Klettverschluss</p>
	 <p>Sperren Schnalle</p>	

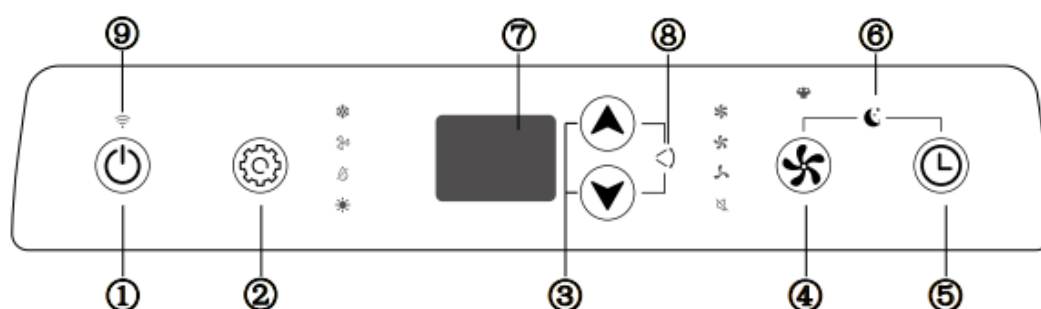
Ablaufschlauch		Sicherheitsseil aus Stahldraht (optional)
		
Aufhängeringschraube (optional)	2 Stück Batterie (1,5 V, AAA)	Handbuch

4. BEZEICHNUNG DER TEILE





5. BEDIENUNG DES BEDIENFELDES

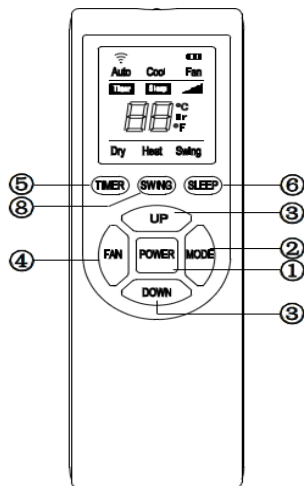


Drücken Sie diese Taste, um die Klimaanlage ein-/auszuschalten.

Drücken Sie diese Taste, um die Modi Kühlen, Luftzufuhr, Entfeuchtung und Heizen auszuwählen.

Im Kühl-/Heizmodus kann durch Drücken dieser Taste die eingestellte Temperatur nach oben oder unten angepasst werden; Drücken Sie im zeitgesteuerten Modus diese Taste, um die zeitgesteuerte Ein-/Ausschaltzeit anzupassen.

Drücken Sie diese Taste, um zwischen hoher Windgeschwindigkeit und mittlerer Windgeschwindigkeit zu wählen. Niedrige Windgeschwindigkeit, leise Windgeschwindigkeit oder starke Windgeschwindigkeit.



⑤ Timer

Drücken Sie diese Taste im Standby-Modus, um den Timer einzustellen. Startzeit; Drücken Sie diese Taste im eingeschalteten Zustand. Kann eine zeitgesteuerte Abschaltzeit einstellen.


Drücken Sie diese Tastenkombination im Kühl-/Heizbetrieb
Wechseln Sie dann in den Schlafmodus.

In diesem Fenster werden die eingestellte Temperatur und Zeit angezeigt.

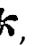




Drücken Sie diese Tastenkombination, um die Swing-Funktion ein-/auszuschalten.


Im Standby-Modus Drücken Sie die FAN-Taste“  „3 Sekunden lang auf dem Bedienfeld um das WLAN-Netzwerk zurückzusetzen oder die WLAN-Bindung aufzuheben.




6. FUNKTIONSEINFÜHRUNG

1) Nach dem Einschalten wird im Standard-Kühlmodus oder durch Drücken der Modustaste zur Auswahl des Kühlmodus die Kühlanzeigebeleuchtung eingeschaltet .


2) Drücken Sie die Auf- oder Ab-Taste, um die Temperatur einzustellen (zwischen 16 °C und 30 °C).

3) Drücken Sie die Windgeschwindigkeitstaste, um „Hoch“ auszuwählen , mittel , niedrig , still , oder stark  Windgeschwindigkeiten.

1) Drücken Sie die Modustaste oder wählen Sie den Luftversorgungsmodus über die Fernbedienung und die Luftversorgungsanzeigeleuchte aus  wird eingeschaltet.

2) Drücken Sie die Windgeschwindigkeitstaste, um „Hoch“ auszuwählen , mittel , ,niedrig  Luftgeschwindigkeit.


3) Temperatur kann nicht eingestellt werden.








1) Drücken Sie die Modustaste oder wählen Sie den Entfeuchtungsmodus über die Fernbedienung und das Entfeuchtungslicht aus  wird eingeschaltet. Im Entfeuchtungsmodus ist das Vierwegeventil geschlossen.

2) Temperaturregelbereich: 16 °C ~ 30 °C.

3) In diesem Modus gibt es Funktionen wie Timer, Schaukel und Ausschalt Speicher.

4) Drücken Sie die Luftgeschwindigkeitstaste, um eine niedrige oder geräuschlose Luftgeschwindigkeit auszuwählen.

1) Drücken Sie die Modustaste oder wählen Sie den Heizmodus über die Fernbedienung und die Heizkontrollleuchte aus  wird eingeschaltet.

- 2) Drücken Sie die Auf- oder Ab-Taste, um die eingestellte Temperatur einzustellen (zwischen 16 °C und 30 °C).
- 3) Drücken Sie die Windgeschwindigkeitstaste, um „Hoch“ auszuwählen , mittel , niedrig , oder still  Windgeschwindigkeiten.
- 1) Drücken Sie im eingeschalteten Zustand die Sleep-Taste auf der Fernbedienung oder die Kombinationstaste auf dem Bedienfeld (+) , um die Schlaffunktion zu aktivieren. Die Anzeige als „ SL “, die nur im Kühl- und Heizmodus wirksam ist.
- 2) Der Lüfter läuft geräuschlos  Windgeschwindigkeit.
- 3) Nach längerem Betrieb wird die Temperatur erhöht (Kühlmodus) oder gesenkt (Heizmodus).
- 4) Die Klimaanlage im Schlafmodus schaltet sich nach 8 Stunden automatisch ab.

7. SMART HOME WIFI-VERBINDUNGSANLEITUNG



App installieren

Scan QR code

Laden Sie die „Smart Life“-App aus dem Play Store (Android) oder App Store (iOS) herunter.



Registrieren

Wenn Sie kein Smarter Home-Konto haben, registrieren Sie sich oder melden Sie sich mit einem per SMS gesendeten Bestätigungscode an.

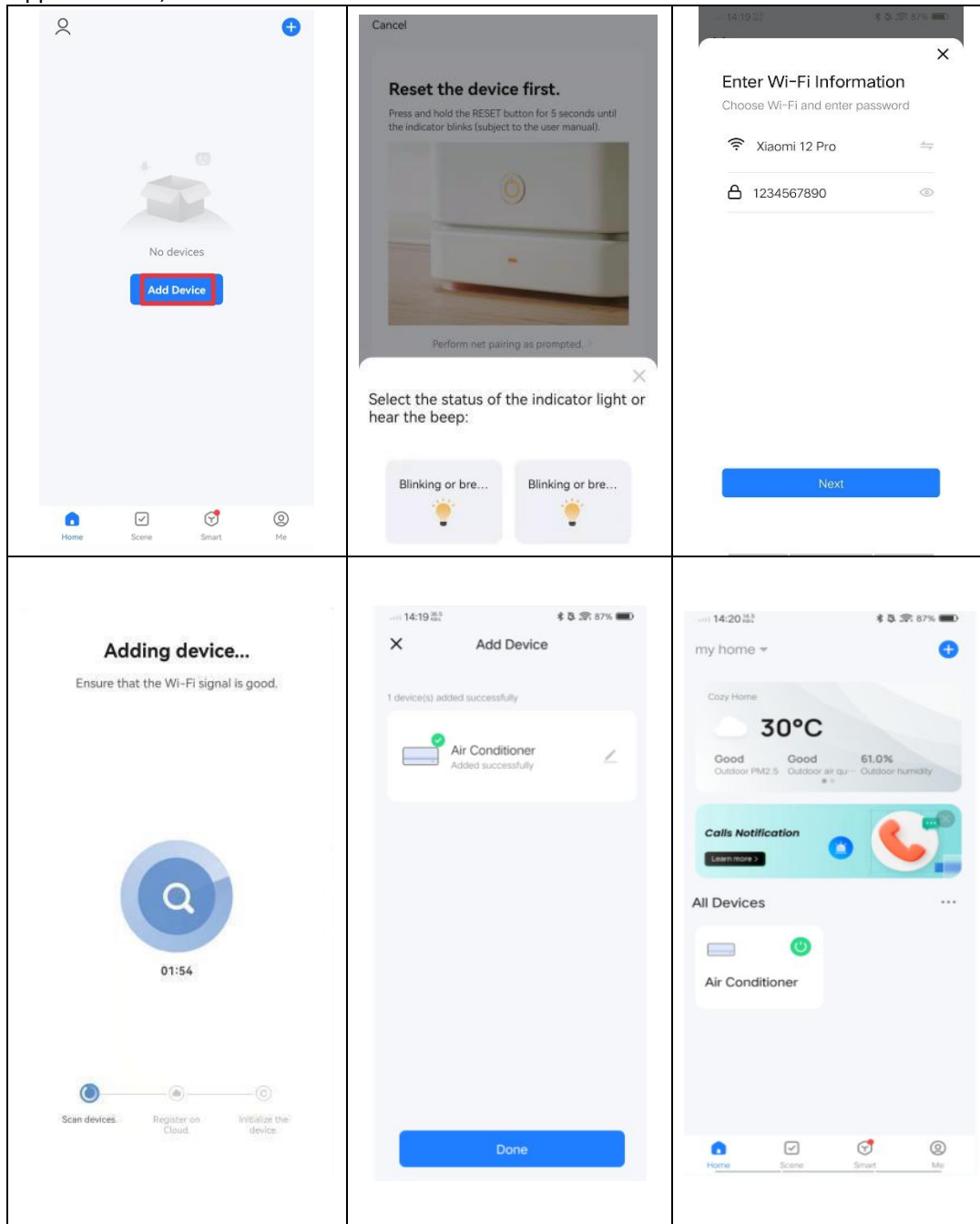
Zur Anmeldung:

1. Tippen Sie hier, um die Registrierungsseite aufzurufen
2. Das System erkennt Ihr Land/Ihre Region automatisch. Sie können Ihren Ländercode auch manuell auswählen. Geben Sie Ihre Mobiltelefonnummer/E-Mail-Adresse ein und tippen Sie auf „Weiter“.
3. Wenn Sie die Option „Mobiltelefonnummer“ wählen, geben Sie den Bestätigungscode in die Nachricht ein, die Sie per SMS erhalten. Legen Sie nach Aufforderung ein Passwort fest und klicken Sie auf „Bestätigen“, um Ihre Registrierung abzuschließen.

Gerät über Netzwerk hinzufügen

- a. Wenn sich die Klimaanlage im Standby-Modus befindet, drücken Sie die FAN-Taste  3 Sekunden lang auf dem Bedienfeld, um in den WLAN-Verbindungsmodus zu wechseln, und die WLAN-Signalleuchte leuchtet auf  beginnt zu blinken.
- b. Öffnen Sie die Smart Home-App und tippen Sie oben rechts auf „+“, um ein neues Gerät über das Netzwerk hinzuzufügen.

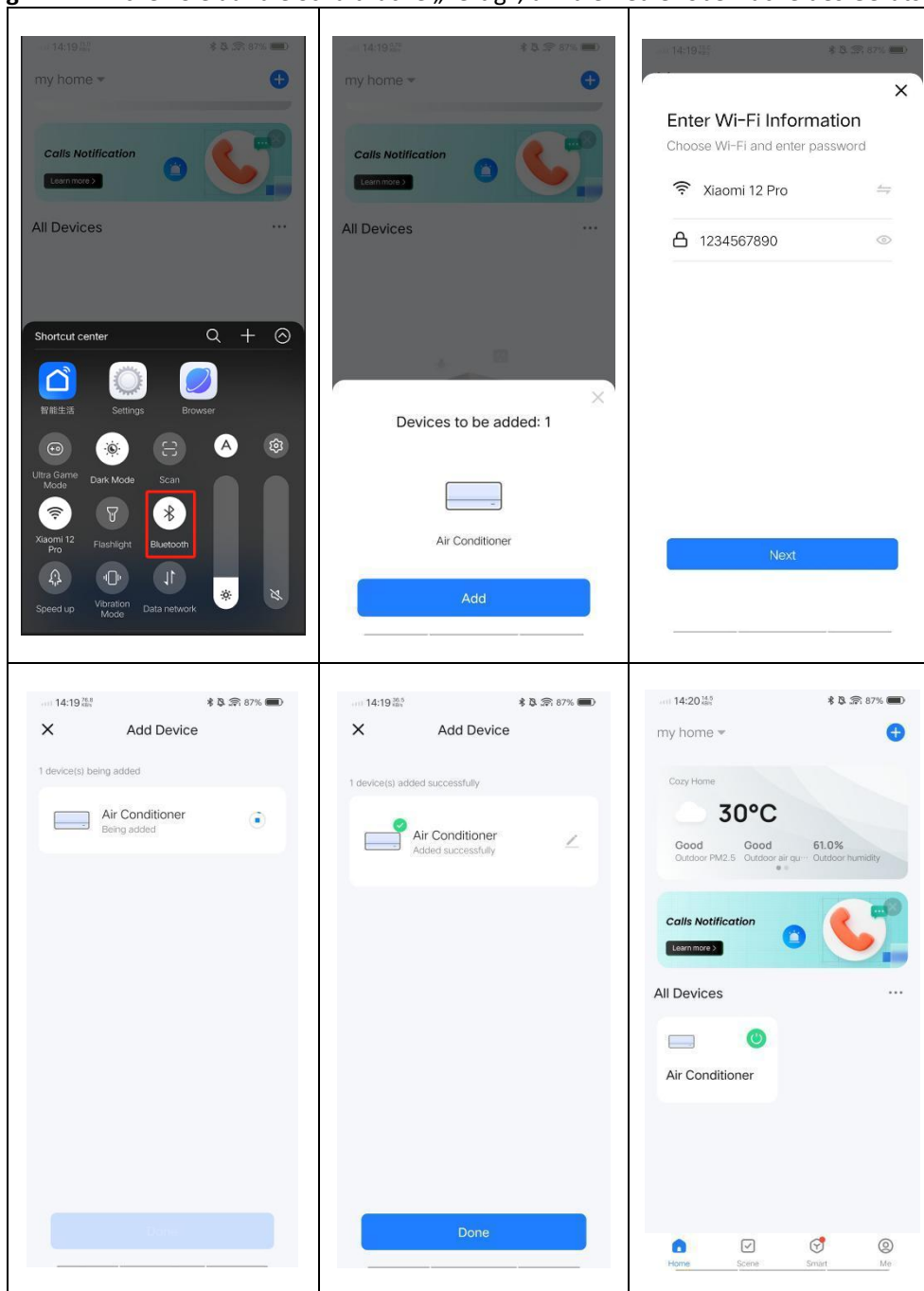
- c. Stellen Sie sicher, dass die Anzeigeleuchte des Geräts schnell blinkt (2 Mal pro Sekunde) und tippen Sie auf „Bestätigen, dass die Leuchte schnell blinkt“.
- d. Wählen Sie das WLAN-Netzwerk (Hinweis: Das Netzwerk muss im 2,4-GHz-Band sein) und geben Sie das Passwort ein. Das Gerät beginnt mit dem Kopplungsvorgang und stellt eine Verbindung zur App her.
- e. Nach erfolgreicher Konfiguration der Geräte wird der AC auf der Smart Home-Seite angezeigt. Tippen Sie hier, um die Kontrollseite aufzurufen.



Verbindung über Bluetooth herstellen

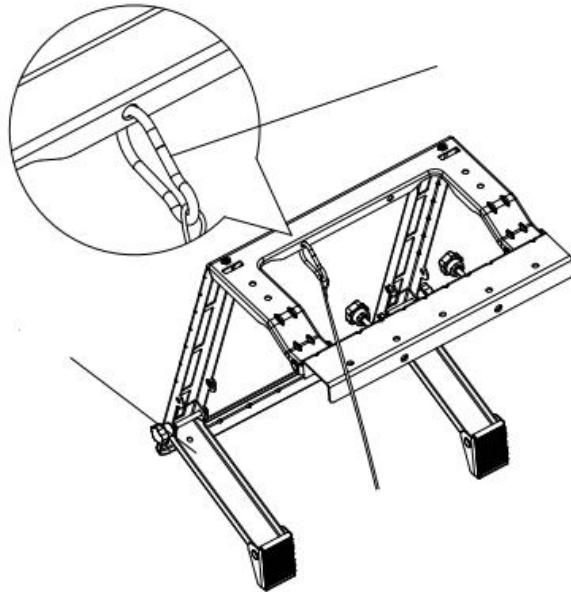
- a. Stellen Sie vor dem Herstellen der Verbindung sicher, dass sich das Gerät im Standby-Modus befindet.
- b. Drücken Sie die Taste „FAN“. 3 Sekunden lang gedrückt, um den WLAN-Verbindungsmodus und die WLAN-Signalleuchte aufzurufen. Die WLAN-Signalleuchte beginnt zu blinken.
- c. Öffnen Sie das Bluetooth Ihres Telefons.
- d. Wenn das Gerät eingeschaltet ist und eine Verbindung hergestellt werden soll, wird das verbundene Bluetooth-Gerät nach kurzem Öffnen der App automatisch angezeigt. Klicken Sie für die Verbindung auf die Schaltfläche „Hinzufügen“.

- e. Rufen Sie die Wi-Fi-Informationsschnittstelle auf, geben Sie das Passwort ein und klicken Sie auf „Weiter“, um den Vorgang fortzusetzen. (Hinweis: Das Netzwerk muss im 2,4-GHz-Band sein)
- f. Rufen Sie die Geräteverbindungsschnittstelle auf, nachdem der Fortschrittsbalken abgeschlossen ist und das Gerät erfolgreich verbunden ist.
- g. Klicken Sie auf die Schaltfläche „Fertig“, um die Bedienoberfläche des Geräts aufzurufen.

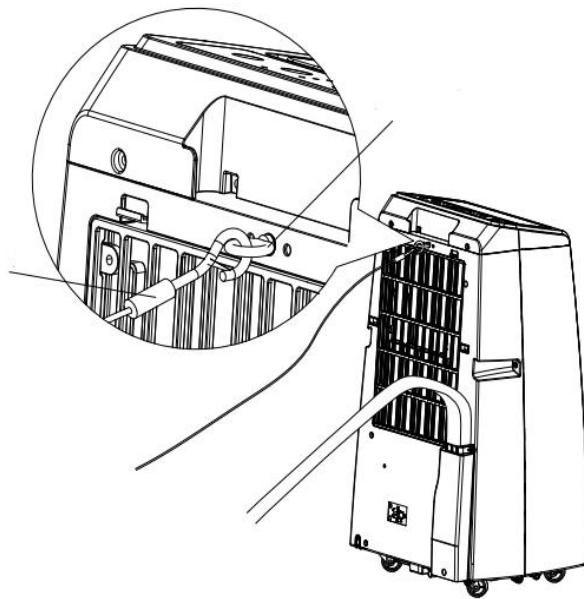


8. INSTALLATION DER KLIMAAANLAGE

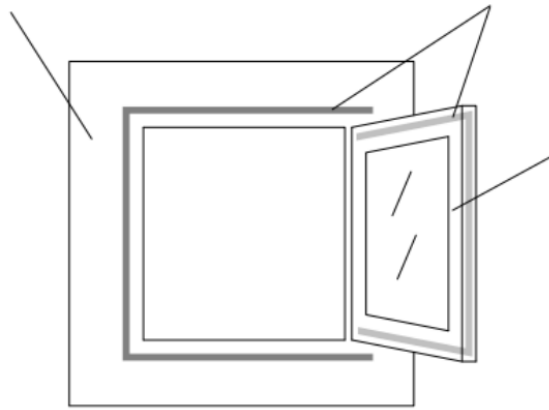
1. Öffnen Sie die Verpackung der Maschine und des Zubehörs und prüfen Sie, ob die Schläuche zwischen Innen- und Außengerät richtig angeschlossen sind. Überprüfen Sie außerdem, ob der Wasserstecker fest eingesteckt ist. Überprüfen Sie abschließend, ob die Anhänge vollständig sind.
2. Verbinden Sie das Stahldraht-Sicherheitsseil mit der Installationshalterungskomponente. Wie im Bild gezeigt:



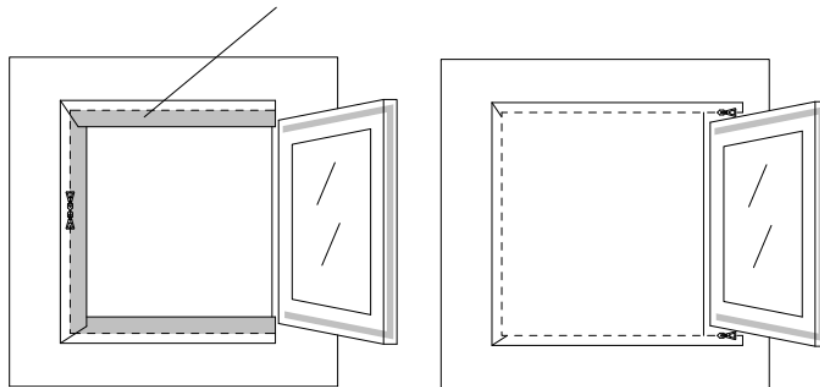
3. Bringen Sie die Hubringschraube an der internen Maschine an und befestigen Sie dann das Stahldraht-Sicherheitsseil an der Hubringschraube. Wie im Bild gezeigt:



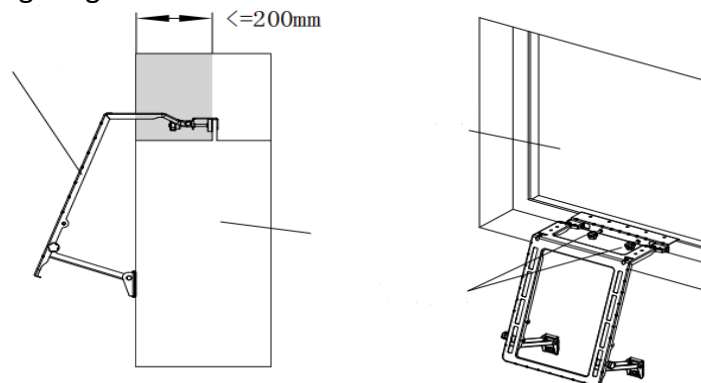
4. Kleben Sie das Klettband auf die Fensterrahmen und auf das Fenster. Wie im Bild gezeigt:



5. Kleben Sie zuerst das Dichtungstuch fest auf den Fensterrahmen, öffnen Sie dann den Reißverschluss des Dichtungstuchs und kleben Sie dann die andere Seite des Dichtungstuchs auf das Fenster. Wie im Bild gezeigt:

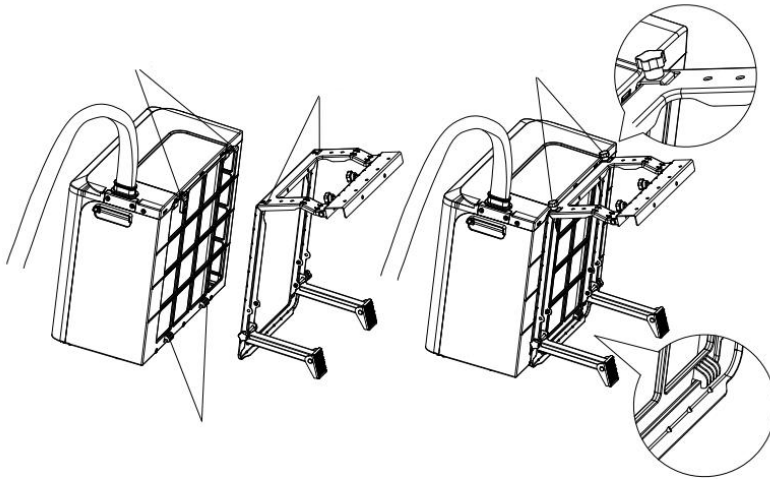


6. Befestigen Sie die Montagehalterungskomponente am Fenster. Die Montage der Halterungskomponente ist relativ komfortabel, wie in der Abbildung dargestellt. Ziehen Sie dann die Schraube von Hand fest, um die Halterungskomponente fest am Fenster zu befestigen. Wie im Bild gezeigt:

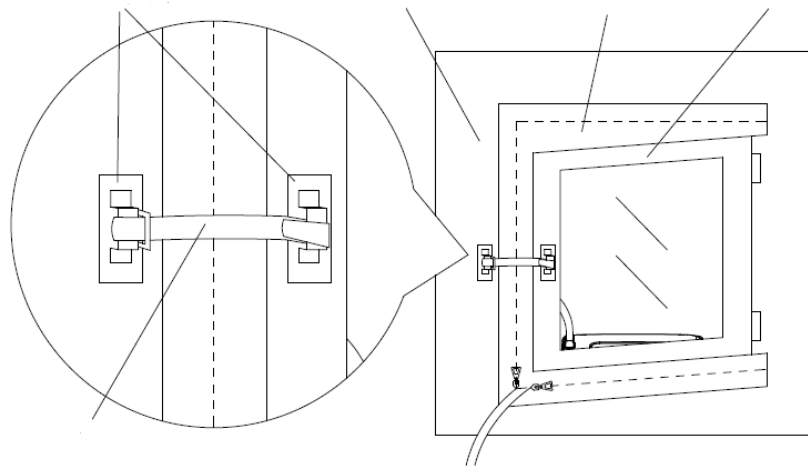


7. Bei der Installation der Außeneinheit sollte die Schnalle der Außeneinheit an der Installationshalterungskomponente befestigt werden und der Haken der

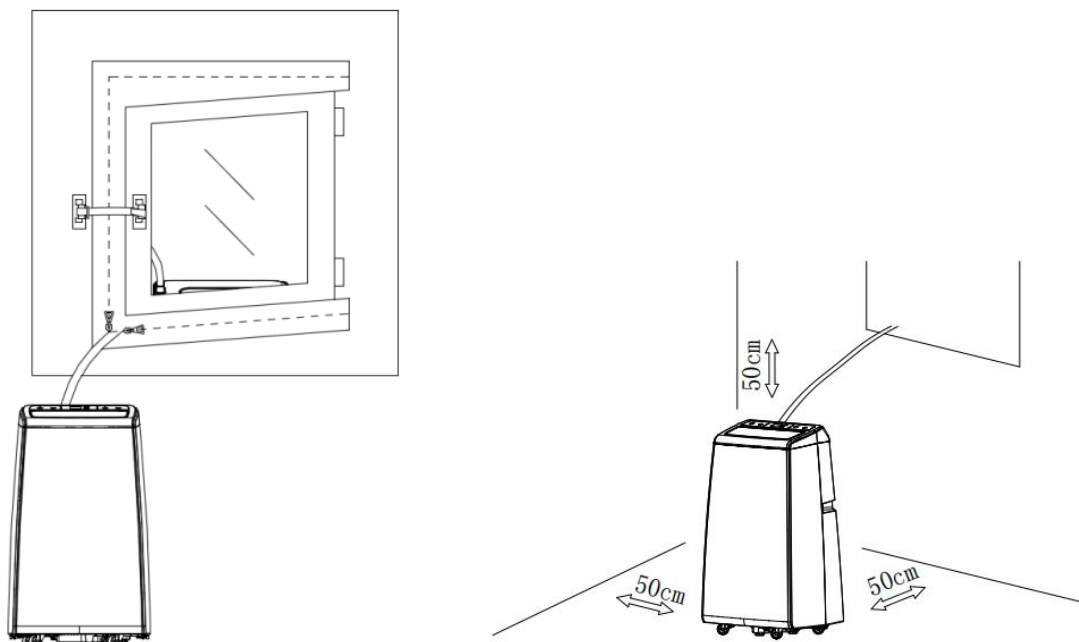
Außeneinheit sollte in den Hakenschlitz der Halterungsmiete eingehängt werden. Zum Schluss ziehen Sie die Schraube handfest an. Wie im Bild gezeigt:



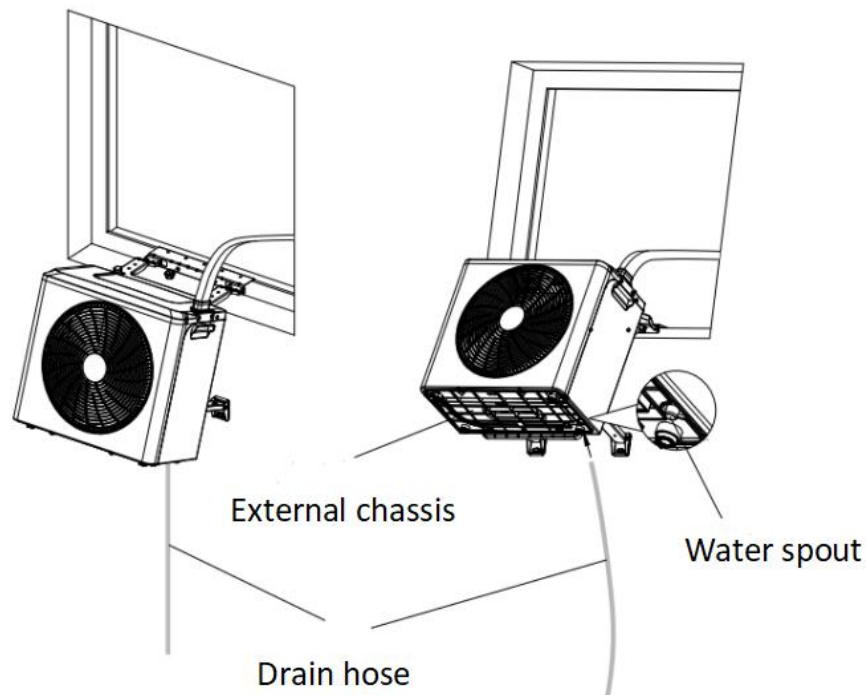
8. Kleben Sie die Basis des Schlosses an das Fenster und an die entsprechende Position (Hinweis: Die beiden Basen sollten nicht zu weit voneinander entfernt sein, um eine unzureichende Länge des Kettenseils des Schlosses zu vermeiden). Wie im Bild gezeigt:



9. Nachdem die Installation abgeschlossen ist. Wie in der folgenden Abbildung dargestellt. HINWEIS: Die Klimaanlage muss rundherum an einem flachen und leeren Ort installiert werden. Blockieren Sie den Luftauslass nicht und der erforderliche Abstand sollte mindestens 50 cm betragen.



10. Wenn für die Außeneinheit die Verwendung eines Ablaufschlauchs erforderlich ist, installieren Sie den Ablaufschlauch einfach direkt am Ablaufstutzen. Installieren Sie wie folgt.



9. FEHLERCODELISTE

NEIN	Ursache	Code
1	IPM-Fehler des Kompressorantriebs	F1
2	PFC/IPM-Fehler	F2
3	Unnormaler Kompressorstart	F3
4	Betriebsfehler des Kompressors (Presse aus der Position)	F4
5	Fehlfunktion des Positionserkennungsschaltkreises	F5
6	Phasenstrom-Überstromschutz	ABER
7	Schutz vor Über- und Unterspannung der DC-Busspannung	P2
8	Kommunikationsfehler im Innen- und Außenbereich	E4
9	Kommunikationsfehler zwischen Hauptsteuerplatine und Treiberplatine	F6
10	AC-Eingangsspannungsschutz	P3
11	Wechselstrom-Überstromschutz	P4
12	AC-Überspannungs- und Unterspannungsschutz	P5
13	Fehlfunktion des Außenpaneelsensors (reserviert)	F7
14	Fehlfunktion des Rückluftsenors (reserviert)	F8
15	Fehlfunktion des Abgassensors	E0
16	Fehlfunktion des Außenumgebungssensors (reserviert)	E6
17	Fehlfunktion des Außen-DC-Lüfters	E7
18	Fehlfunktion des Außen-EE	FE
19	Schutz vor abnormaler Temperatur des Rückluftsenors	Also
20	Hochtemperaturschutz an der Oberseite des Kompressors	P1
21	Unnormale Kältemittelzirkulation	AN
22	Abgastemperaturschutz	PH

23	Überlastschutz der Außenspule (reserviert)	PC
24	Rückkopplungsfehler des DC-Innenventilators	E3
25	Überlastschutz der Innenspule	P6
26	Frostschutz für die Innenspule	P7
27	Fehlfunktion des Innenspulensensors	E2
28	Fehlfunktion des Innentemperatursensors	E1
29	Fehler bei der Nulldurchgangserkennung des Innengeräts	P8
30	Fehlfunktion der Innen-EE	EE
31	Rückkopplungsfehler des Wassermotors	E5
32	Rückkopplungsfehler des Kühlgebläses	E8
33	Vollständiger Wasserschutz	FL

10. ANLEITUNG ZUR FEHLERBEHEBUNG

Problem	Ursache	Lösung
Das Gerät lässt sich nicht einschalten	Kein Strom	Schalten Sie den Strom ein
	Beschädigte Steckdose	Schalten Sie den Strom aus und überprüfen/reparieren Sie die Steckdose
	Unbekannter Grund	Kontaktieren Sie den Händler
Geringe Luftverdrängung oder begrenzte Kühlwirkung	Die niedrigste Lüftungsstufe ist gewählt	Wählen Sie den Modus mit hoher Lüftungsgeschwindigkeit
	Der Luftfilter ist verschmutzt	Überprüfen und reinigen Sie den Filter
	Die Luftzufuhr oder -abluft des Innengeräts ist blockiert	Stellen Sie sicher, dass das Gerät nicht blockiert ist, und entfernen Sie das Hindernis
	Die Luftzufuhr oder Abluft vom Außengerät ist blockiert	Stellen Sie sicher, dass das Gerät nicht blockiert ist, und entfernen Sie das Hindernis
	Die Umgebungstemperatur ist zu niedrig oder zu hoch	Die Umgebungstemperatur muss zwischen 18 und 40°C liegen
	Unzureichende Spannung vom Netzteil	Wenden Sie sich an einen Installateur oder verwenden Sie einen anderen Stromanschluss
Nur Luftverdrängung, aber keine Kühlwirkung	Das Gerät läuft im Lüftungsmodus	Wählen Sie den Kühlmodus (A/C)
	Der Kühlmodus wurde gerade automatisch ausgeschaltet	Warten Sie ca. 3-5 Minuten, bis sich der Thermostat wieder einschaltet

Ungewöhnliche Geräusche oder Vibrationen	Die Montagehalterungen oder die Befestigungsschrauben des Geräts sind nicht ordnungsgemäß am Fahrzeug montiert ausreichend festgezogen	Überprüfen Sie, ob die Montagehalterung fest sitzt, und ziehen Sie die Befestigungsschrauben des Geräts fest
Aus dem Innengerät tritt Wasser aus	Der Gummistopfen an der Unterseite des Innengeräts fehlt oder ist nicht ausreichend angedrückt	Überprüfen oder ersetzen Sie den Gummistopfen
	Das Gerät steht schräg	Das Gerät muss horizontal montiert werden
Das Gerät verströmt einen entsprechenden Geruch	Es liegt ein ernstes Problem vor	Schalten Sie das Gerät sofort aus und wenden Sie sich an den Händler

11. WARTUNG

Erklärung:

- 1) Stellen Sie sicher, dass die Maschine vor der Wartung vom Stromnetz getrennt ist.
- 2) Verwenden Sie zum Reinigen des Geräts kein Benzin oder andere Chemikalien.
- 3) Waschen Sie das Gerät nicht direkt;
- 4) Wenn die Klimaanlage beschädigt ist, wenden Sie sich bitte an den Händler oder die Reparaturwerkstatt.

1. Reinigung

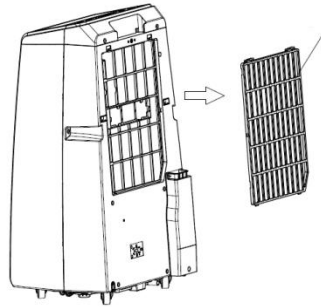
Achtung: Ziehen Sie vor der Reinigung den Netzstecker.

1) Außenreinigung

Wischen Sie die Außenseite mit einem feuchten Tuch ab und trocknen Sie das Gerät anschließend gründlich mit einem trockenen Tuch ab. Lassen Sie kein Wasser oder schädliche Substanzen in das Gerät eindringen. Verwenden Sie zum Reinigen des Geräts kein Benzin oder andere Chemikalien.

2) Luftfilter

- Es ist wichtig, den Filter regelmäßig von Staub zu befreien.
- Entfernen Sie den Filter wie im Bild unten gezeigt.
- Reinigen Sie den Filter mit Leitungswasser und/oder einem Staubsauger, um Schmutz vom Filter zu entfernen.
- Verwenden Sie zur Reinigung kein Wasser mit einer Temperatur von mehr als 40 °C und setzen Sie den Filter nicht der Sonne aus.
- Stellen Sie sicher, dass der Filter getrocknet ist, bevor Sie ihn wieder in die Klimaanlage einsetzen.

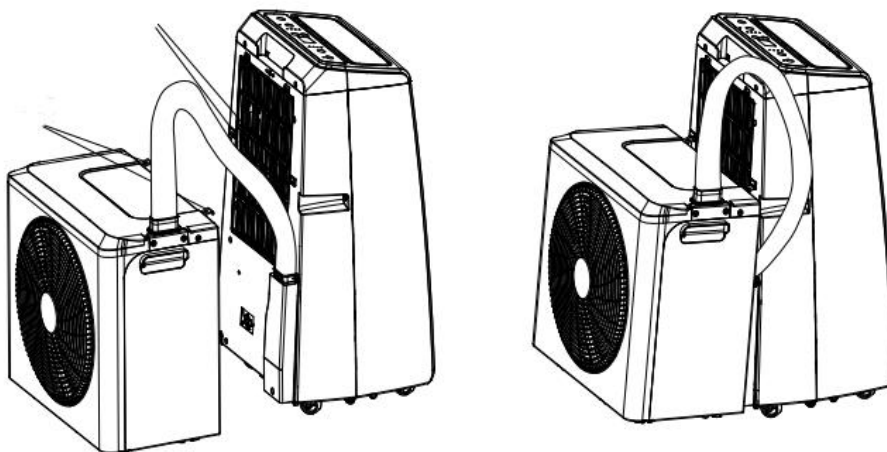


2. Wartung

- 1) Entfernen Sie den Gummistopfen vom Ablaufstutzen und lassen Sie das Kondenswasser an der entsprechenden Stelle ab.
- 2) Wenn die Klimaanlage längere Zeit nicht verwendet wird, muss die Außeneinheit wieder in den Innenbereich gebracht werden, um zu verhindern, dass Staub, Schmutz usw. in den Luftauslass fallen.

3. Lagerung

- 1) Entfernen Sie die Klimaanlage vom Installationsort;
- 2) Entfernen Sie die Gummidichtung vom Innengerät und Außengerät und lassen Sie das Kondenswasser ab.
 3. Lassen Sie das Gerät weiterhin im Lüftermodus laufen, um das Innere zu trocknen.
 4. Schalten Sie die Klimaanlage aus und ziehen Sie den Stecker heraus.
 5. Waschen Sie den Filter und installieren Sie ihn dann.
 6. Entfernen Sie alle Halterungen an der Klimaanlage, installieren Sie die Halterungen des Außengeräts am Innengerät und bauen Sie es wie in der Abbildung unten gezeigt zusammen.
 7. Bewahren Sie die Klimaanlage an einem kühlen und trockenen Ort auf. Wir empfehlen Ihnen, das Klimagerät bei der Lagerung wieder in die Verpackung zu legen. Dadurch wird verhindert, dass sich Schmutz und Staub auf der Klimaanlage ansammeln.



- Die oben genannten technischen Parameter können ohne vorherige Ankündigung geändert werden.

